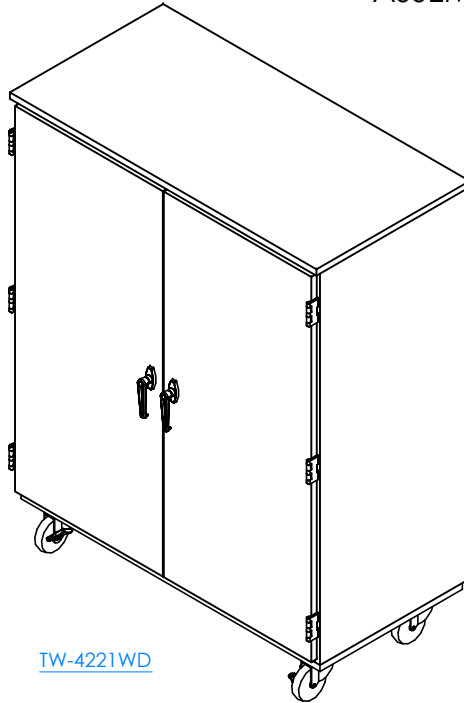
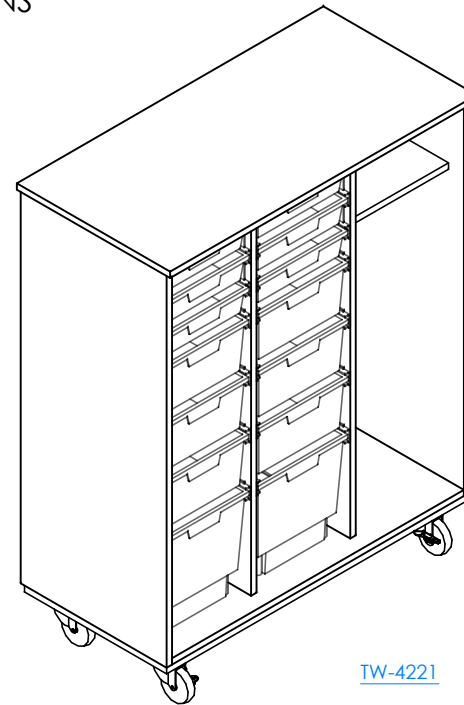


# MOBILE TOTE & MORE STORAGE

TW-4221 & TW-4221WD (OAK OR MAPLE)  
ASSEMBLY INSTRUCTIONS



[TW-4221WD](#)



[TW-4221](#)

**NOTE:**

1. MODEL VIEWS MAY NOT REPRESENT EXACT MODEL PURCHASED

ALL DIMENSIONS ARE IN INCHES UNLESS NOTED OTHERWISE	DWN BY:	EMR	DATE DWN:	9/16/20
DECIMALS: X = ± .000	APR BY:		DATE APR:	
XX = ± .020	APR BY:		DATE APR:	
XXX = ± .010	APR BY:		DATE APR:	
ANGLES: = ± 1°	APR BY:		DATE APR:	
CABINET SQUARENESS: = ± .0625	APR BY:		DATE APR:	

CONFIDENTIAL:  
ALL DESIGN RIGHTS RESERVED  
THE INFORMATION, DATA, DESIGN, AND DRAWINGS EMBODIED IN THIS DOCUMENT AND ALL REPRODUCTIONS THEREOF ARE THE EXCLUSIVE PROPERTY OF DIVERSIFIED WOODCRAFTS, INC.

THESE DOCUMENTS ARE SUPPLIED WITH THE UNDERSTANDING THAT THEY WILL NOT BE DISCLOSED TO THIRD PARTIES WITHOUT WRITTEN CONSENT OF DIVERSIFIED WOODCRAFTS, INC. ANY REPRODUCTION IN PART OR WHOLE WITHOUT WRITTEN CONSENT IS SUBJECT TO LEGAL ACTION.



TITLE:  
MOBILE TOTE & MORE STORAGE  
ASSEMBLY INSTRUCTIONS

REV.	DESCRIPTION	DATE	NAME	ECN NO.
A	CREATED DRAWING	9/16/20	EMR	-
REVISION LEVEL				

DRAWING NUMBER:	SCALE:	SHEET:	REVISION:
TW-4221 & TW-4221WD	NTS	1 OF 3	REV A

## ASSEMBLY COMPONENTS

ITEMS INCLUDED	PART #	PART DESCRIPTION	QTY
TOTE TRAY - SINGLE	254150-XX	SLIM LINE SINGLE DEPTH TRAY (COLOR VARIES)	6
TOTE TRAY - DOUBLE	254151-XX	SLIM LINE DOUBLE DEPTH TRAY (COLOR VARIES)	6
TOTE TRAY - QUAD	256350-XX	SLIM LINE QUAD DEPTH TRAY (COLOR VARIES)	2

**NOTE:**

- 1. COLOR OF TOTE TRAYS VARY WITH MODEL PURCHASED.
  - 1.1. TOTE TRAY COLORS:
    - 1.1.1. CLEAR, ROYAL, CARROT, OR LIME

ALL DIMENSIONS ARE IN INCHES UNLESS NOTED OTHERWISE DECIMALS: X = ± .000 XX = ± .020 XXX = ± .010 ANGLES: = ± 1° CABINET SQUARENESS: = ± .0625	DWN BY: EMR	DATE DWN: 9/16/20
	APR BY:	DATE APR:
	APR BY:	DATE APR:



CONFIDENTIAL:  
ALL DESIGN RIGHTS RESERVED  
THE INFORMATION, DATA, DESIGN, AND DRAWINGS EMBODIED IN THIS DOCUMENT AND ALL REPRODUCTIONS THEREOF ARE THE EXCLUSIVE PROPERTY OF DIVERSIFIED WOODCRAFTS, INC.

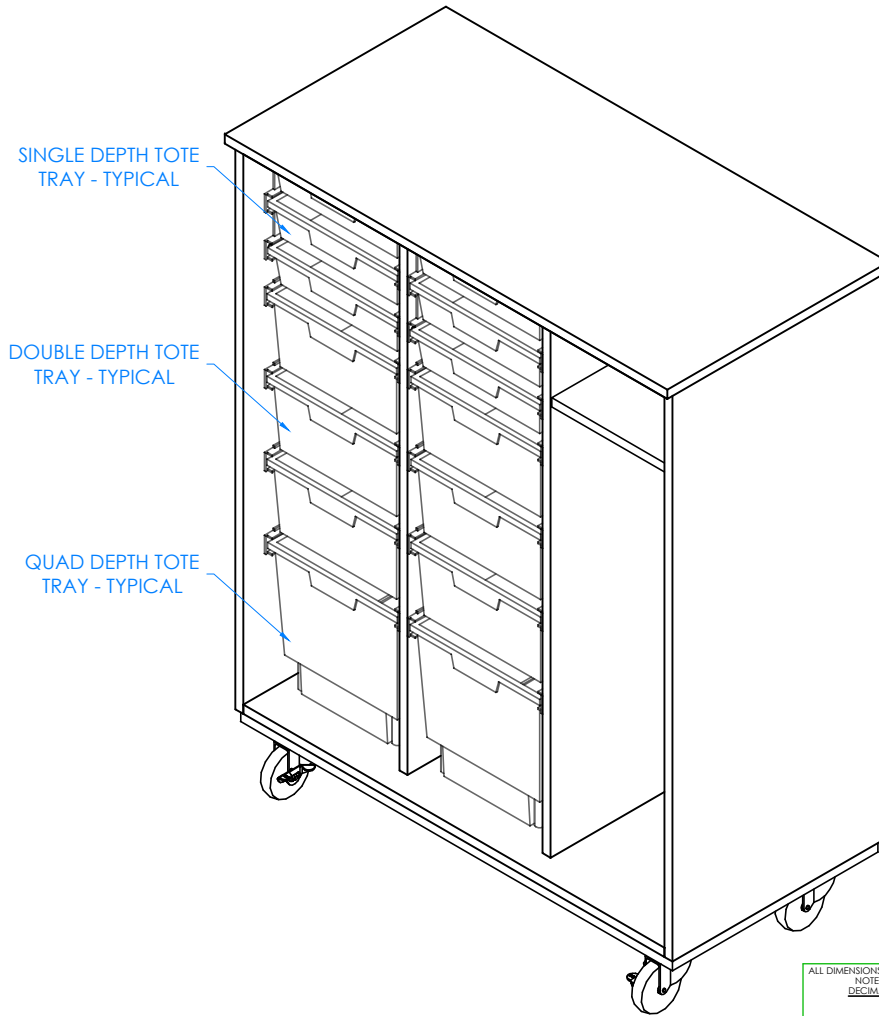
TITLE:  
**MOBILE TOTE & MORE STORAGE TOOLS AND ASSEMBLY COMPONENTS**

THESE DOCUMENTS ARE SUPPLIED WITH THE UNDERSTANDING THAT THEY WILL NOT BE DISCLOSED TO THIRD PARTIES WITHOUT WRITTEN CONSENT OF DIVERSIFIED WOODCRAFTS, INC. ANY REPRODUCTION IN PART OR WHOLE WITHOUT WRITTEN CONSENT IS SUBJECT TO LEGAL ACTION.

A	CREATED DRAWING	9/16/20	EMR	-
REV.	DESCRIPTION	DATE	NAME	ECN NO.

REVISION LEVEL

DRAWING NUMBER: <b>TW-4221 &amp; TW-4221WD</b>	SCALE: NTS	SHEET: 2 OF 3	REVISION: REV A
---	---------------	------------------	--------------------



STEP 1:

- PLACE TOTE TRAYS ONTO TOTE TRAY INSERTS.
- SET CABINET IN DESIRED LOCATION.

NOTE:

1.

COMPLETE UNIT SHOWN

ALL DIMENSIONS ARE IN INCHES UNLESS NOTED OTHERWISE	DWN BY:	EMR	DATE DWN:	9/16/20
DECIMALS: $\frac{1}{16}$ = ± .000	APR BY:		DATE APR:	
$\frac{1}{32}$ = ± .020	APR BY:		DATE APR:	
$\frac{1}{64}$ = ± .010	APR BY:		DATE APR:	
ANGLES: = ± 1°	APR BY:		DATE APR:	
CABINET SQUARENESS: = ± .0625	APR BY:		DATE APR:	



CONFIDENTIAL:  
ALL DESIGN RIGHTS RESERVED  
THE INFORMATION, DATA, DESIGN, AND DRAWINGS EMBODIED IN THIS DOCUMENT AND ALL REPRODUCTIONS THEREOF ARE THE EXCLUSIVE PROPERTY OF DIVERSIFIED WOODCRAFTS, INC.

TITLE:  
MOBILE TOTE & MORE STORAGE  
ASSEMBLY INSTRUCTIONS

THESE DOCUMENTS ARE SUPPLIED WITH THE UNDERSTANDING THAT THEY WILL NOT BE DISCLOSED TO THIRD PARTIES WITHOUT WRITTEN CONSENT OF DIVERSIFIED WOODCRAFTS, INC. ANY REPRODUCTION IN PART OR WHOLE WITHOUT WRITTEN CONSENT IS SUBJECT TO LEGAL ACTION.

REV.	DESCRIPTION	DATE	NAME	ECN NO.
A	CREATED DRAWING	9/16/20	EMR	-
REVISION LEVEL				

DRAWING NUMBER:	SCALE:	SHEET:	REVISION:
TW-4221 & TW-4221WD	NTS	3 OF 3	REV A