

The Endurance™ Bed 1.0

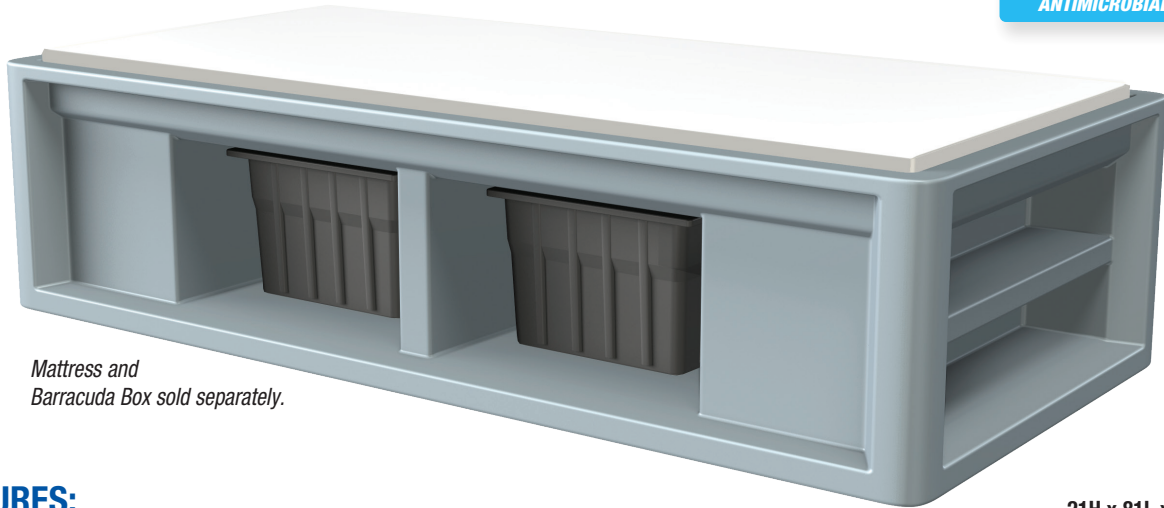
Medium Bed

FURNISHINGS & PRODUCTS
NOW INFUSED WITH

CORx

ANTIMICROBIAL COMPOUND

10 Year
Factory Warranty



Mattress and
Barracuda Box sold separately.

21H x 81L x 35D

FEATURES:

- Durable, one piece, rotationally molded design for increased strength. Constructed of high impact “no break” polyethylene
- Designed for use with **30” x 75”** mattress. 4.5” thick mattress is recommended
- Molded in side slots for property box storage. Bed can be reverse-mounted to eliminate property box storage feature. Molded in end shelving for open storage of personal items
- End shelf storage: 1.3 cu. ft. (2 shelves)
- Side storage: 4.0 cu. ft. (2 compartments)
- Sound dampening
- 2000 lb. Static Load
- Easy to clean, sanitize & maintain
- Field installed restraint rings available
- Can be bolted to the floor via concealed pilot holes with hardware of your choice
- Passes Flammability UL 94 HB
- Tested to ISO 22196 showing a >99% reduction in bacteria
- Flame Retardant (passes Cal 133) Test reports available upon request
- Manufactured to ISO Quality Standards in the USA 

ITEM	COLOR
7601AQ	Aqua
7601BK	Black
7601BG	Blue Gray
7601BN	Brown
7601BY	Burgundy
7601GY	Gray
7601GN	Green
7601IG	Indigo
7601MB	Midnight Blue
7601SD	Sand
7601SB	Slate Blue
7601SG	Stone Gray

Available in



Custom colors available upon request. Call Cortech for details.

OVERVIEW

The Endurance™ Bed 1.0 is a versatile, heavy duty, medium sized sleep surface ideal for continuous, intensive use environments. Molded in side slots for property box storage and increased structural span strength. Molded in end shelving for open storage of personal items. **Manufactured to ISO Quality Standards in the USA.**

Designed for use with 30" x 75" mattress.

FABRICATION/MATERIAL

Durable, one piece, rotationally molded design for increased strength. Constructed of high impact polyethylene. No steel or wood components. Flame Retardant (as shown passes Cal 133). Test reports available upon request.

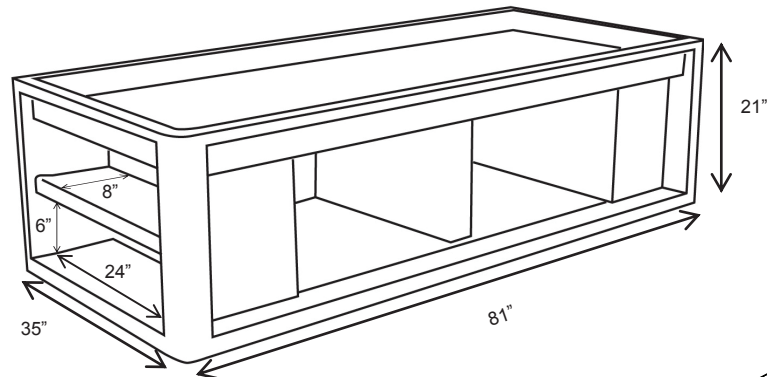
COLOR Black, Blue Gray, Brown, Burgundy, Gray, Green, Sand and Slate Blue. Custom colors available upon request.

WEIGHT 110 lbs.

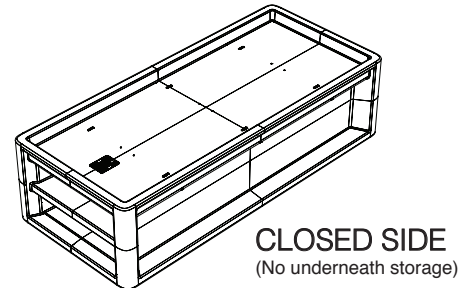
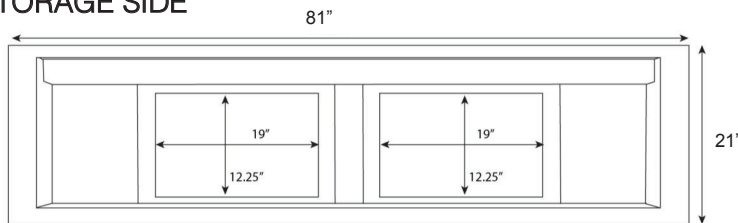
ASSEMBLY Bolt to the floor via concealed pilot holes with hardware of your choice.

WARRANTY 10 Year Factory Warranty.

MAINTENANCE Easy to clean, sanitize & maintain.

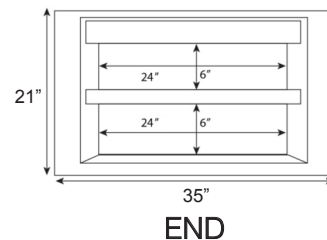
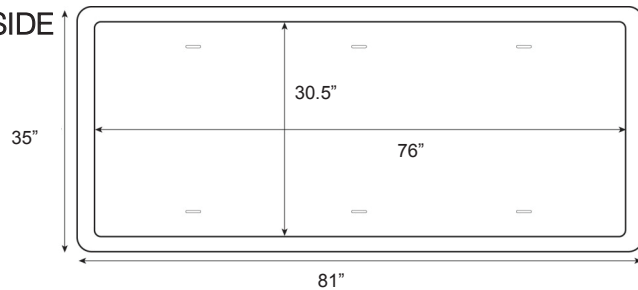


STORAGE SIDE



CLOSED SIDE
(No underneath storage)

TOP SIDE



END