

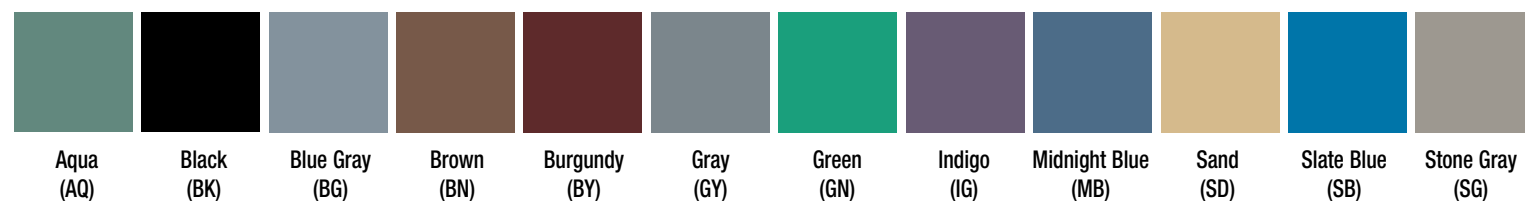
Endurapods

Privacy Spaces for Communal Dormitories



Endurapods offer a fresh alternative to the concrete and metal dividers typically found in communal dormitories. The versatile pods add color and texture to the space while offering individual privacy and separation from common gathering areas. Their ability to be arranged a number of different ways allows flexibility for change over time.

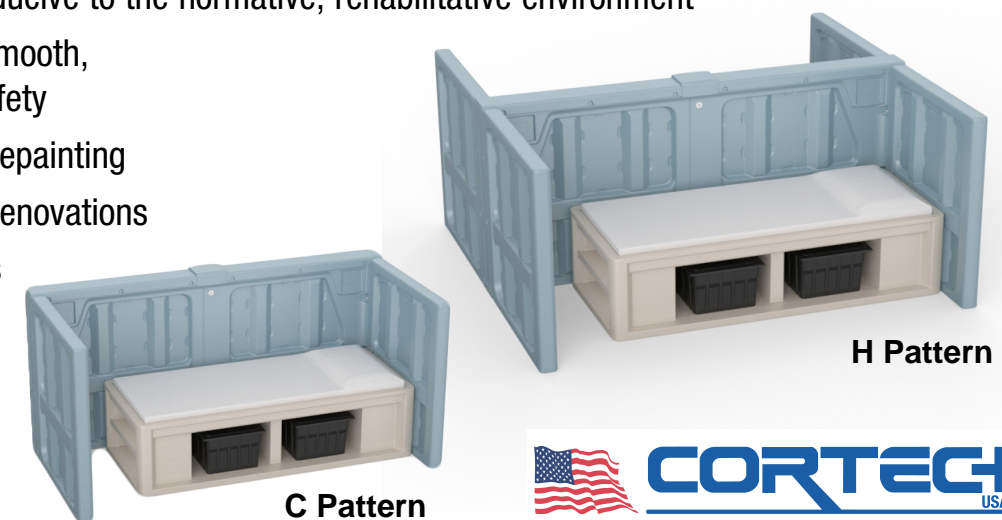
Available in

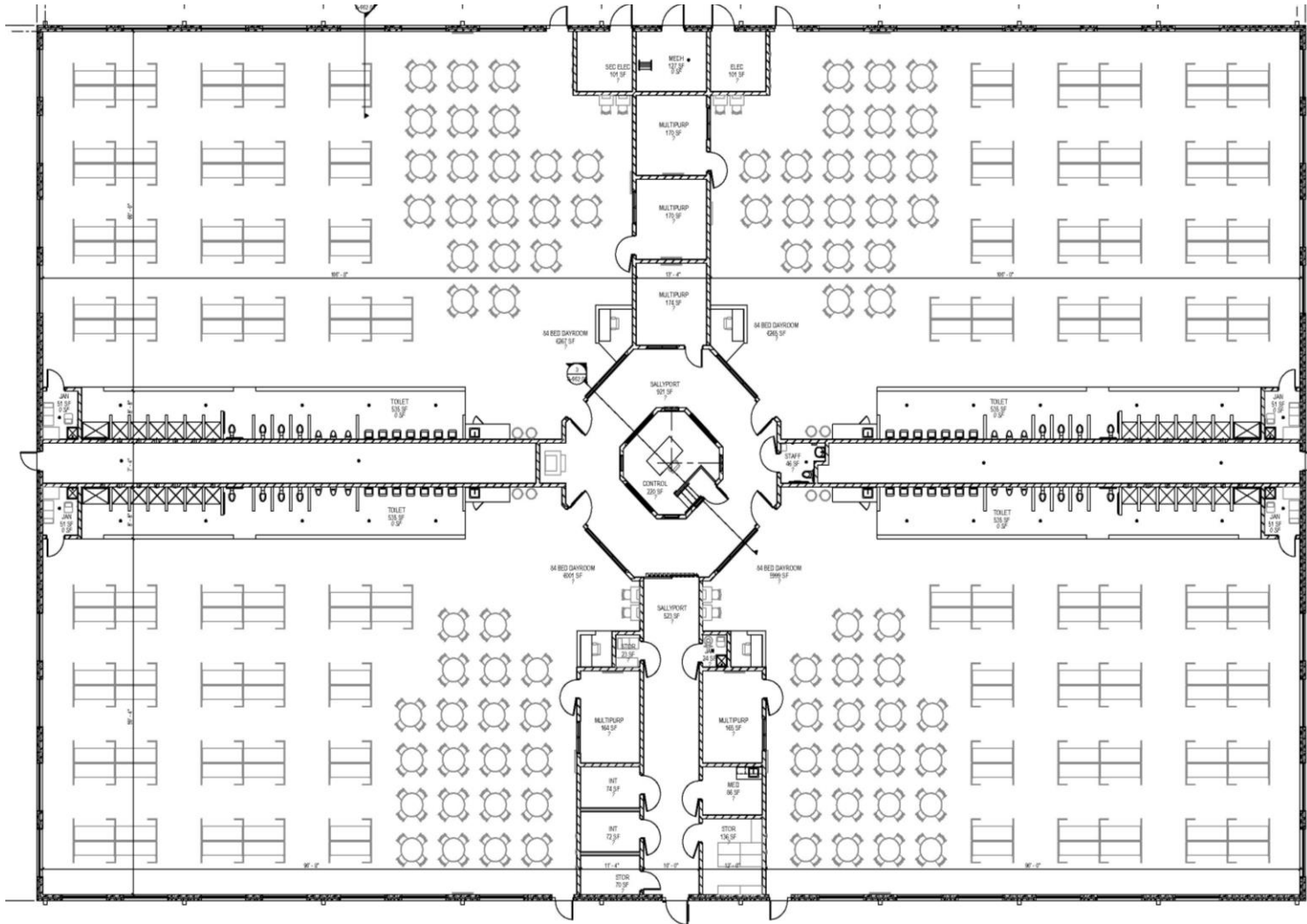


Custom colors available upon request. Call Cortech for details.

EnduraPod Features:

- Constructed of highly durable, one piece, rotationally molded “no break” polyethylene
- Infused with CORx™ antimicrobial compound to reduce the growth of bacteria on the surface
- Customizable color options conducive to the normative, rehabilitative environment
- Ligature resistant design with smooth, rounded edges for increased safety
- Maintenance free/never needs repainting
- Ideal for new construction and renovations
- Lower initial and life cycle costs
- Flame Retardant
- Available in: 8 ft. x 4 ft.





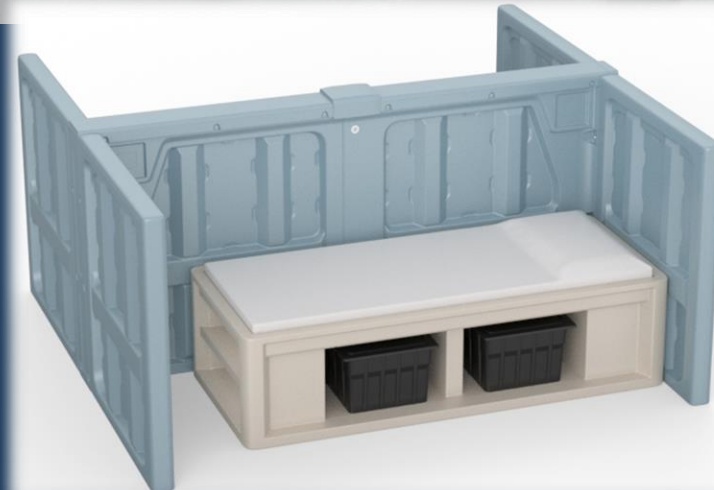
CORTECH
USA

Endurapods

For the Normative
Correctional Dormitory
Environment

Benefits of Endurapods

- Constructed of durable, one piece, rotationally molded “no break” polyethylene
- Ability to build upon or reduce number of spaces to accommodate population changes
- 8 x 4 feet of individual privacy space
- Available in twelve colors conducive to Normative Environments
- Infused with CORx antimicrobial compound for increased sanitation
- Naturally absorbs sound to facilitate calm environments
- Ligature resistant – no dangerous sharp edges or corners
- Resistant to lethal weapon fabrication
- Maintenance free – will never need to be painted
- Safe & easy installation – simply bolt to the floor
- Contribute to safe and humane spaces
- Flame Retardant
- 5 Year Factory Warranty





CORTEGI



CORTEGI



CORTEGI



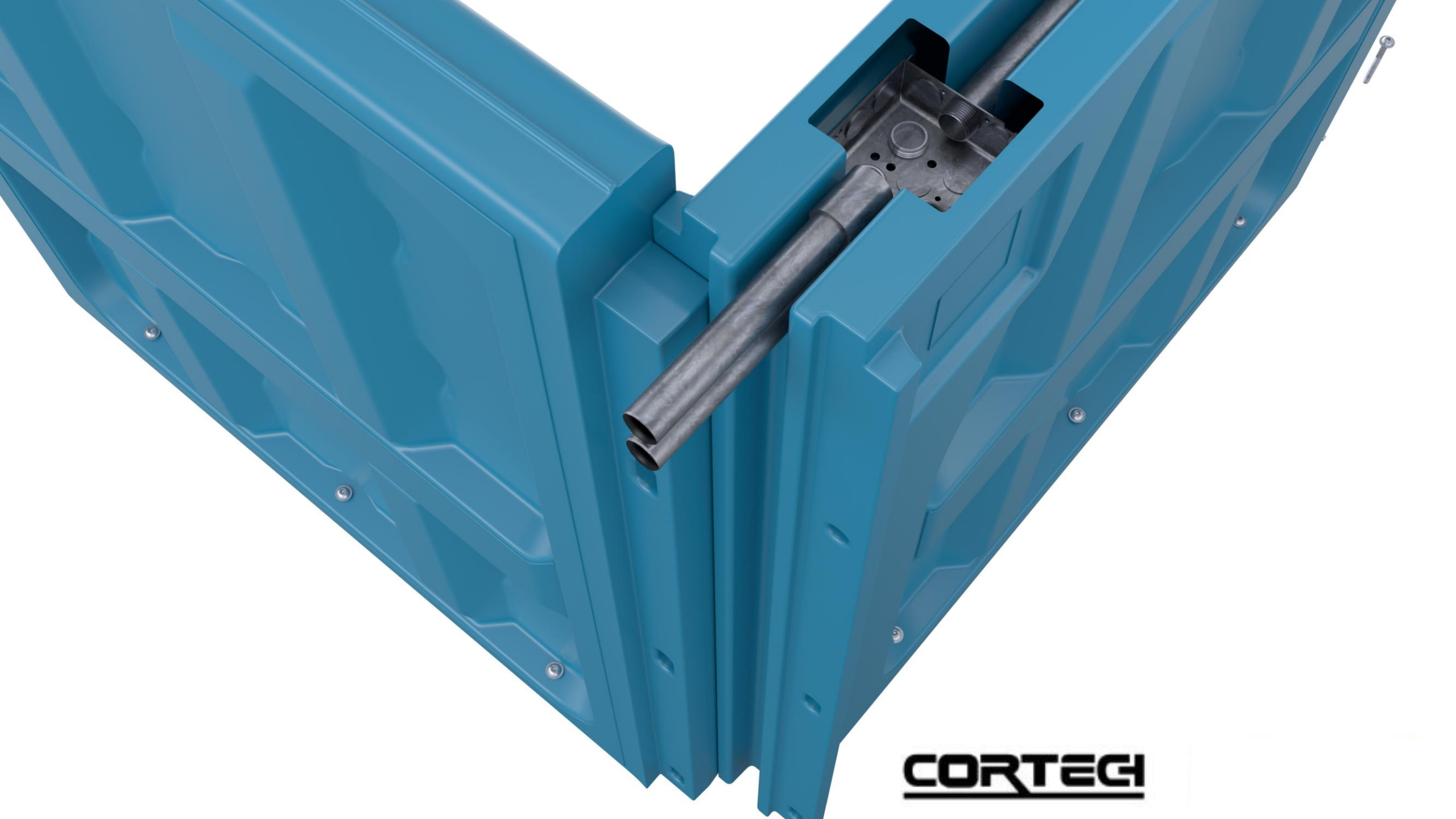
CORTEGI

CORTEGI



CORTEGI





CORTEGI