



**WARNING:**

CHOKING HAZARD/SHARP POINTS- Assembly hardware contains small parts and components with sharp points. Adult assembly required.

**Tools Required:**

-4mm Hex Wrench, (Provided)

Instructions for:  
**7087YT Living Room Chair**

Hardware Package **HCJO**

Qty.	Description
(1) <b>XAUS</b>	4mm Hex Wrench
(10) <b>XAUR</b>	2" Decorative Screw

Hardware Illustrations

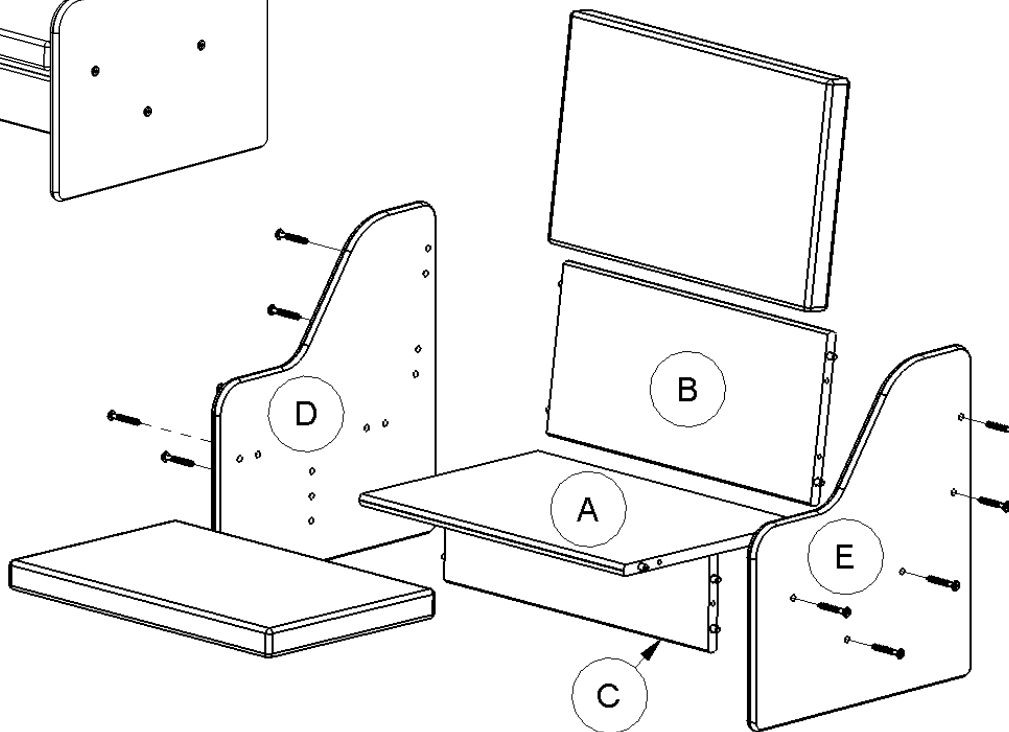
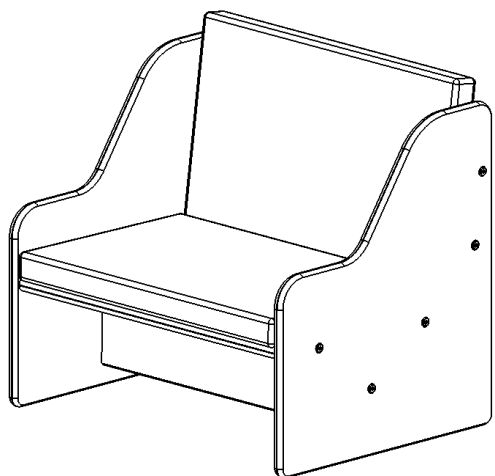


1 - XAUS



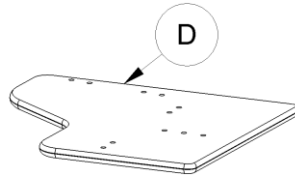
10 - XAUR

Not Actual Size

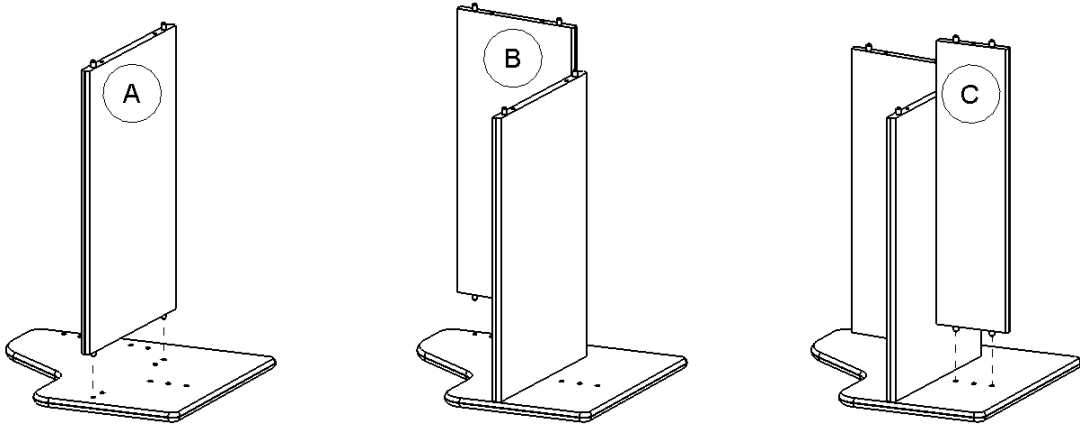


**Assembly Instructions:**

1. Begin with a clean or carpeted surface and Place LH Side-D with majority of holes up.



2. Install Bottom-A, Back-B, and Support-C to LH Side-D by aligning dowels.



3. Install RH Side-E and secure with 5-**XAUR** Decorative Screws using **XAUS** Hex Wrench provided. Carefully turn unit over end-for-end and secure LH Side in the same manner.

4. Install Back Cushion first, followed by Seat Cushion.

