

PRODUCT SPECIFICATIONS ■

Cogni Collection

January 2025

TECHNICAL SPECIFICATIONS

Seat Shell

One-piece injection-molded, contoured shells are made of static-free high-impact polypropylene with rolled edges for comfort and strength. The shell is ergonomically contoured and features a passive-flex backrest movement for superior comfort. Lower backrest provides lumbar support and an upright posture, upper backrest provides thoracic support for a casual, reclined posture. Wide, ergonomic handle is molded into the chair top edge for ease of mobility, and for comforting and supporting users arms in rear and side-sitting positions. Shell fastens to a steel frame with seven M6 x 18 mm Phillips pan head screws.

Upholstered Seat (optional)

Molded urethane foam is attached to an injection-molded polypropylene seat board, then is upholstered using a draw-string process. The assembled seat pad is attached to the seat by means of hidden fasteners. Seat foam is nominal $\frac{5}{8}$ " thickness.

Under-Seat Shroud

Under-seat shroud is injection-molded, made of static-free high-impact polypropylene. The patent pending shroud is multifunctional. Shroud assists in stacking of chairs together and permits cantilever chairs to nest onto desks and tabletops for floor maintenance efficiencies. The front and side surfaces include sensory dots of varying sizes for aesthetics, and to promote tactile engagement and sensory regulation.

Cantilever Chairs

Frames

Cantilever frames consist of 1" O.D. 13-gauge round, high-strength low-alloy steel tubing. Frame may be finished in powder-coat paint or nickel-chrome plated. When occupied, the frame is designed to respond to user movements with a subtle flex, adding comfort and improving circulation.

Base Options

KI recommends consulting with the floor manufacturer for specific glide recommendations. Heel wheel housings and heel glide housings are interchangeable should the customer desire to change the mobility of their chairs later.

Glide Base

Cantilever chairs with the glide base have a nylon toe housing and a nylon heel housing secured to each leg that accepts pop-in glides. Four glide options are available; felt, nylon, hybrid, and steel. Glides are field-replaceable and interchangeable.

Heel Wheel Base

Cantilever chairs with the heel wheel base have a nylon heel housing and a nylon toe housing on each leg, made of high-impact thermoplastic. Each heel housing has two 75 mm diameter wheels, made of high-impact thermoplastic with a softer elastomer over-molded on the wheel surface. Heel wheels are dual-surface, suitable for carpet and hard floors. The patent pending heel wheel base offers controlled mobility, permits dollying up to four stacked Cogni chairs at a time, and serves as an anti-tilt mechanism for student safety. Wheels are available in Black or Warm Grey. Each toe housing accepts pop-in glides. Four glide options are available; felt, nylon, hybrid (thermoplastic polyurethane), and steel. Glides are field-replaceable and interchangeable.



4-Leg Chairs & Café Stools

Frames

4-leg chair and café stool frames consist of 7/8" O.D. 13-gauge round, high-strength low-alloy steel tubing welded together. Frame may be finished in powder-coat paint or nickel-chrome plating after all welding processes are complete.

Base Options

KI recommends consulting with the floor manufacturer for specific glide recommendations.

Glide Base

Three glide options are available; felt, plastic, and steel. A black nylon swivel glide body is press-fit into the end of the leg tube. Glide caps (felt, plastic, or steel) are snap-fit onto the glide body. These are field-replaceable and interchangeable.

Caster Base

4-leg chairs and café stools may be ordered with dual-surface casters, suitable for hard or soft floors. Casters are 50 mm diameter, double-wheel, made of high-impact thermoplastic with a softer elastomer over-molded on the wheel surface. Casters are available in Black or Warm Grey.

Task Chairs

Seat Shell

One-piece injection molded contoured shells are made of static-free high-impact polypropylene with rolled edges for comfort and strength. The shell is ergonomically contoured and features a passive-flex backrest movement for superior comfort. Lower backrest provides lumbar support and an upright posture, upper backrest provides thoracic support for a casual, reclined posture. Wide, ergonomic handle is molded into the chair top edge for ease of mobility and for comforting and supporting users arms in rear and side-sitting positions. Shell fastens to a steel frame with seven M6 x 18 mm pan head screws.

Under-Seat Structure

The frame consists of a 12-gauge base plate, powder-coat painted, and secured to the chair shell with seven M6 x 18 Phillips pan head screws.

Pneumatic Height Adjustment

Lever-activated pneumatic cylinder enables seat height adjustment from 17" to 21³/₄". Available in Black.

Task Base

Base is 26" diameter, injection-molded glass-reinforced nylon 5-blade design, in Black.

Base Options

KI recommends consulting with the floor manufacturer for specific glide recommendations.

Casters

Task chairs are equipped with dual surface casters, suitable for carpet or hard floors. Casters are 60 mm diameter, double-wheel, made of high-impact thermoplastic with softer elastomer over-molded on the wheel surfaces. Casters are only available in Black.

Bell Glides

Bell glides are made of high-impact nylon plastic. Bell glides are only available in Black.

Task Stool

Under-Seat Structure

Task stool frame consists of a 12-gauge base plate, powder-coat painted, and secured to the chair shell with seven M6 x 18 Phillips pan head screws.



Task Stool (cont.)



Pneumatic Height Adjustment

Lever-activated pneumatic cylinder enables seat height adjustment from 17½" to 25" (mid-height range task stool) and 22½" to 33" (task stool). Available in Black.

Task Base

Base is 26" injection-molded glass-reinforced nylon 5-blade design, in Black.

Foot Ring

Task stools are equipped with adjustable-height, 20" diameter chrome-plated steel foot ring with black, die-cast aluminum hub and spokes.

Base Options

KI recommends consulting with the floor manufacturer for specific glide recommendations.

Casters

Task stools are equipped with dual-surface casters, suitable for carpet or hard floors. Casters are 60 mm diameter, double-wheel, made of high-impact thermoplastic with a softer elastomer over-molded on the wheel surfaces. Casters are only available in Black.

Bell Glides

Bell glides are made of high-impact nylon plastic. Bell glides are only available in Black.

Transport Dolly

Frame is welded tubular steel construction with steel straps that are bent to conform to the nesting angle of the chair being transported. Four steel caster wheel housings - two fixed and two swivel - are welded directly to the four corners of the dolly frame. Swivel caster housings have ball bearings for smooth operation. Wheels are 5" diameter by 1¾" wide hard rubber with Delrin bearings. Wheels are attached to the caster housings with ¾" diameter bolts (axle). Black powder-coat finish.

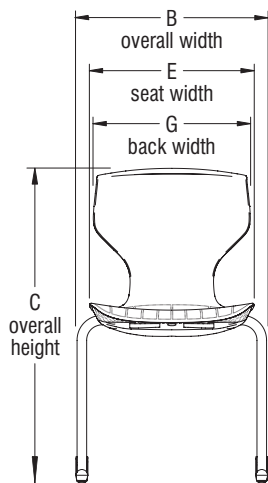
Maximum Stacking Height of Chairs and Stools		
	Stacking on Floor	Stacking on Dolly
18" Cantilever, heel wheel	6	8
18" Cantilever, glides	6	8
16" Cantilever, heel wheel	6	
16" Cantilever, glides	6	
14" Cantilever, heel wheel	6	
14" Cantilever, glides	6	
18" 4-Leg, Glides	6	10
18" 4-Leg, Casters	6	10
16" 4-Leg, Glides	6	
16" 4-Leg, Casters	5	
14" 4-Leg, Glides	5	
14" 4-Leg, Casters	4	
12" 4-Leg, Glides	4	
24" Stack Stools, Glides	4	
24" Stack Stools, Casters	4	
30" Stack Stools, Glides	4	
30" Stack Stools, Casters	4	



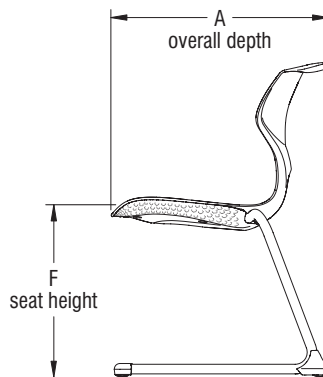
DIMENSIONS

Cogni Cantilever Chairs - (model CGG100H18 shown)

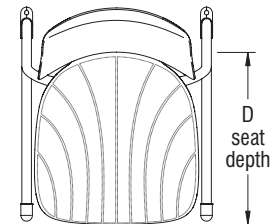
Model Number	A Overall Depth	B Overall Width	C Overall Height	D Seat Depth	E Seat Width	F Seat Height	G Backrest Width
CGG100H14	16 ⁵ / ₈ "	16 ¹ / ₂ "	24 ³ / ₄ "	12 ⁷ / ₈ "	12 ⁵ / ₁₆ "	14"	11 ¹³ / ₁₆ "
CGG100H16	19 ¹ / ₂ "	17 ¹ / ₂ "	28 ³ / ₄ "	15 ³ / ₈ "	14 ¹ / ₁₆ "	16"	14 ¹ / ₁₆ "
CGG100H18	22 ⁵ / ₈ "	20"	32 ¹³ / ₁₆ "	17 ⁷ / ₈ "	17 ¹ / ₁₆ "	18"	16 ³ / ₈ "
CGG200H18	22 ⁵ / ₈ "	20"	32 ¹³ / ₁₆ "	17 ⁷ / ₈ "	17 ¹ / ₁₆ "	18 ⁵ / ₈ "	16 ³ / ₈ "



(front view)



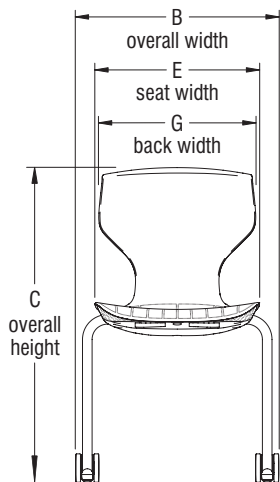
(side view)



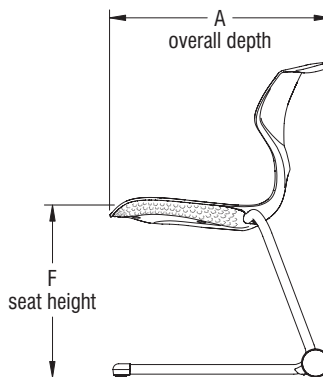
(top view)

Cogni Cantilever Chairs with Heel Wheels - (model CGM100H18 shown)

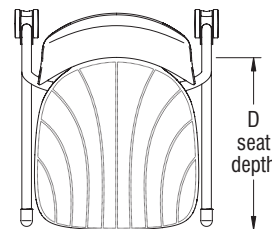
Model Number	A Overall Depth	B Overall Width	C Overall Height	D Seat Depth	E Seat Width	F Seat Height	G Backrest Width
CGM100H14	16 ¹⁵ / ₁₆ "	17 ¹¹ / ₁₆ "	24 ³ / ₄ "	12 ⁷ / ₈ "	12 ⁵ / ₁₆ "	14"	11 ¹³ / ₁₆ "
CGM100H16	19 ³ / ₄ "	18 ³ / ₄ "	28 ³ / ₄ "	15 ³ / ₄ "	14 ¹ / ₁₆ "	16"	14 ¹ / ₁₆ "
CGM100H18	22 ¹⁵ / ₁₆ "	21 ¹ / ₄ "	32 ¹³ / ₁₆ "	17 ⁷ / ₈ "	17 ¹ / ₁₆ "	18"	16 ³ / ₈ "
CGM200H18	22 ¹⁵ / ₁₆ "	21 ¹ / ₄ "	32 ¹³ / ₁₆ "	17 ⁷ / ₈ "	17 ¹ / ₁₆ "	18 ⁵ / ₈ "	16 ³ / ₈ "



(front view)



(side view)

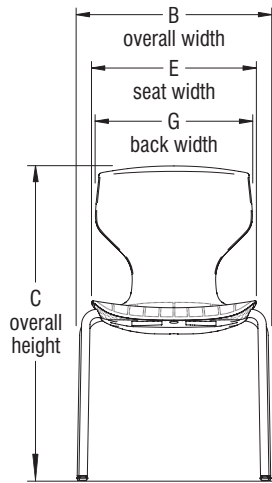


(top view)

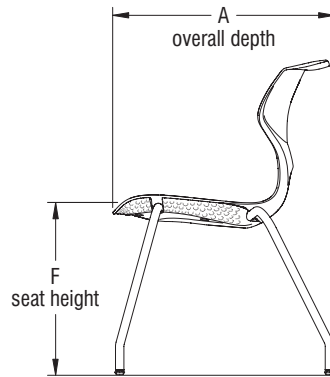
DIMENSIONS

Cogni 4-Leg Glide Chairs - (model CG1100H18 shown)

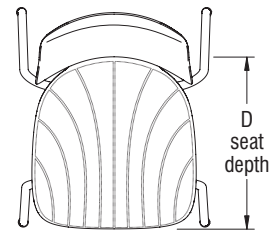
Model Number	A Overall Depth	B Overall Width	C Overall Height	D Seat Depth	E Seat Width	F Seat Height	G Backrest Width
CG1100H12	17"	15 ¹ / ₂ "	22 ³ / ₄ "	12 ⁷ / ₈ "	12 ⁵ / ₁₆ "	12"	11 ¹³ / ₁₆ "
CG1100H14	16 ³ / ₄ "	15 ¹ / ₂ "	24 ³ / ₄ "	12 ⁷ / ₈ "	12 ⁵ / ₁₆ "	14"	11 ¹³ / ₁₆ "
CG1100H16	19 ³ / ₄ "	17 ³ / ₄ "	28 ³ / ₄ "	15 ³ / ₈ "	14 ¹¹ / ₁₆ "	16"	14 ¹ / ₁₆ "
CG1100H18	23 ¹ / ₈ "	20 ⁵ / ₁₆ "	32 ¹³ / ₁₆ "	17 ⁷ / ₈ "	17 ¹ / ₁₆ "	18"	16 ³ / ₈ "
CG1200H18	23 ¹ / ₈ "	20 ⁵ / ₁₆ "	32 ¹³ / ₁₆ "	17 ⁷ / ₈ "	17 ¹ / ₁₆ "	18 ⁵ / ₈ "	16 ³ / ₈ "



(front view)



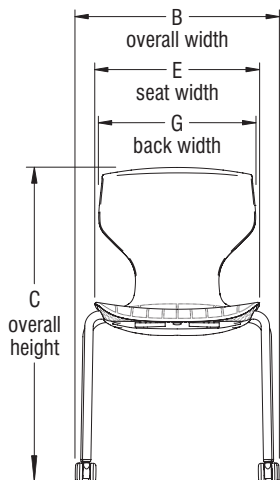
(side view)



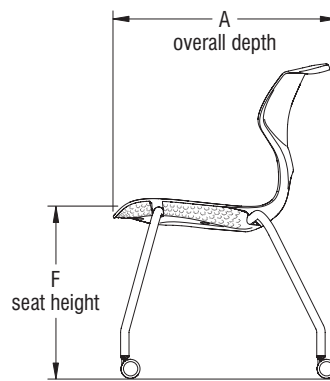
(top view)

Cogni 4-Leg Caster Chairs - (model CG2100H18 shown)

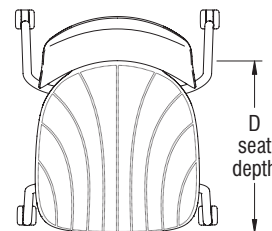
Model Number	A Overall Depth	B Overall Width	C Overall Height	D Seat Depth	E Seat Width	F Seat Height	G Backrest Width
CG2100H14	16 ⁵ / ₁₆ "	16 ⁷ / ₁₆ "	24 ³ / ₄ "	12 ⁷ / ₈ "	12 ⁵ / ₁₆ "	14"	11 ¹³ / ₁₆ "
CG2100H16	18 ¹³ / ₁₆ "	18 ⁵ / ₈ "	28 ³ / ₄ "	15 ³ / ₈ "	14 ¹¹ / ₁₆ "	16"	14 ¹ / ₁₆ "
CG2100H18	22 ¹ / ₂ "	21 ¹ / ₄ "	32 ¹³ / ₁₆ "	17 ⁷ / ₈ "	17 ¹ / ₁₆ "	18"	16 ³ / ₈ "
CG2200H18	22 ¹ / ₂ "	21 ¹ / ₄ "	32 ¹³ / ₁₆ "	17 ⁷ / ₈ "	17 ¹ / ₁₆ "	18 ⁵ / ₈ "	16 ³ / ₈ "



(front view)



(side view)

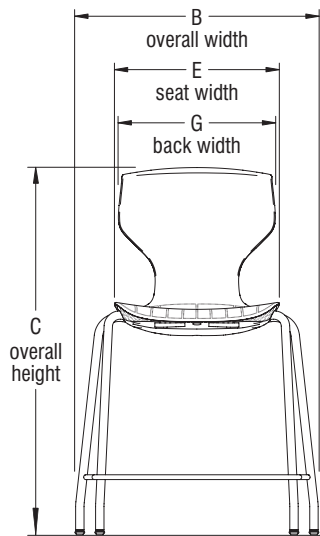


(top view)

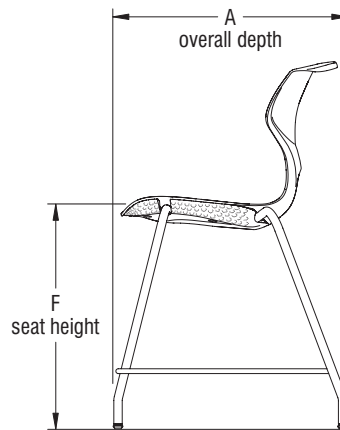
DIMENSIONS

Cogni 4-Leg Glide Stools - (model CG4100H24 shown)

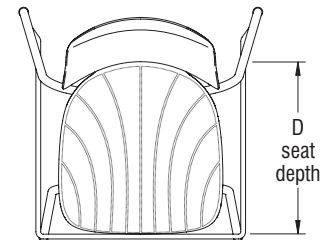
Model Number	A Overall Depth	B Overall Width	C Overall Height	D Seat Depth	E Seat Width	F Seat Height	G Backrest Width
CG4100H24	22 ¹ / ₂ "	25 ⁷ / ₁₆ "	38 ¹ / ₄ "	17 ⁷ / ₈ "	17 ¹ / ₁₆ "	23 ¹ / ₂ "	16 ³ / ₈ "
CG4100H30	26"	25 ¹¹ / ₁₆ "	44 ¹ / ₄ "	17 ⁷ / ₈ "	17 ¹ / ₁₆ "	29 ¹ / ₂ "	16 ³ / ₈ "
CG4200H24	22 ¹ / ₂ "	25 ⁷ / ₁₆ "	38 ¹ / ₄ "	17 ⁷ / ₈ "	17 ¹ / ₁₆ "	24 ¹ / ₄ "	16 ³ / ₈ "
CG4200H30	26"	25 ¹¹ / ₁₆ "	44 ¹ / ₄ "	17 ⁷ / ₈ "	17 ¹ / ₁₆ "	30 ¹ / ₄ "	16 ³ / ₈ "



(front view)



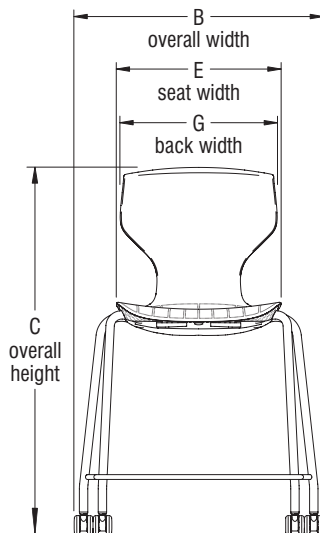
(side view)



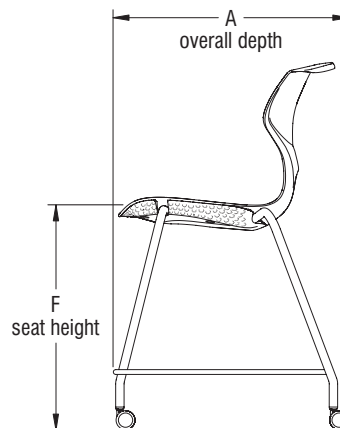
(top view)

Cogni 4-Leg Caster Stools - (model CGN100H24 shown)

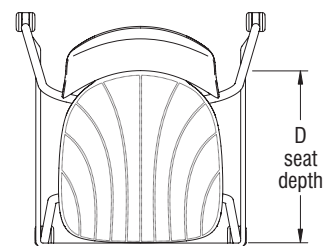
Model Number	A Overall Depth	B Overall Width	C Overall Height	D Seat Depth	E Seat Width	F Seat Height	G Backrest Width
CGN100H24	24 ⁵ / ₁₆ "	25 ⁷ / ₈ "	38 ¹ / ₄ "	17 ⁷ / ₈ "	17 ¹ / ₁₆ "	23 ¹ / ₂ "	16 ³ / ₈ "
CGN100H30	25 ¹⁵ / ₁₆ "	26 ³ / ₁₆ "	44 ¹ / ₄ "	17 ⁷ / ₈ "	17 ¹ / ₁₆ "	29 ¹ / ₂ "	16 ³ / ₈ "
CGN200H24	24 ⁵ / ₁₆ "	25 ⁷ / ₈ "	38 ¹ / ₄ "	17 ⁷ / ₈ "	17 ¹ / ₁₆ "	24 ¹ / ₄ "	16 ³ / ₈ "
CGN200H30	25 ¹⁵ / ₁₆ "	26 ³ / ₁₆ "	44 ¹ / ₄ "	17 ⁷ / ₈ "	17 ¹ / ₁₆ "	30 ¹ / ₄ "	16 ³ / ₈ "



(front view)



(side view)

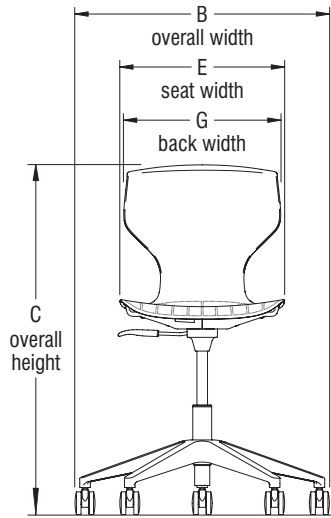


(top view)

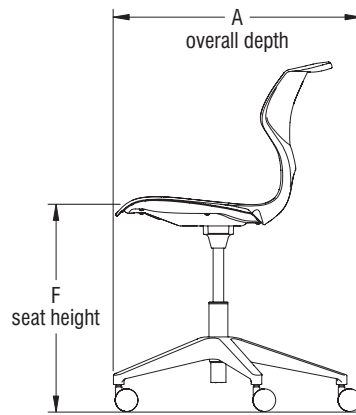
DIMENSIONS

Cogni Task Chairs - (model CG5100 shown)

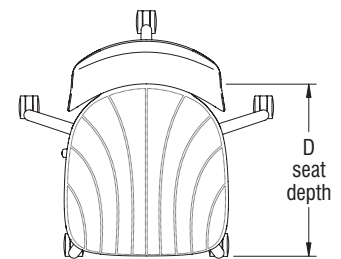
Model Number	A Overall Depth	B Overall Width	C Overall Height	D Seat Depth	E Seat Width	F Seat Height	G Backrest Width
CG5100	25 ¹³ / ₁₆ "	26 ¹ / ₂ "	31 ³ / ₄ "-36 ¹ / ₂ "	18 ¹ / ₁₆ "	17 ¹ / ₁₆ "	17"-21 ³ / ₄ "	16 ³ / ₈ "
CG5200	25 ¹³ / ₁₆ "	26 ¹ / ₂ "	31 ³ / ₄ "-36 ¹ / ₂ "	18 ¹ / ₁₆ "	17 ¹ / ₁₆ "	17 ¹ / ₂ "-22 ¹ / ₄ "	16 ³ / ₈ "



(front view)



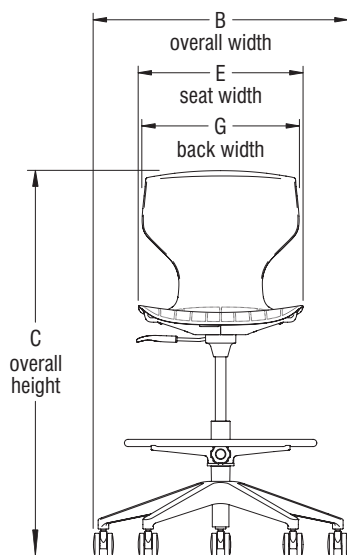
(side view)



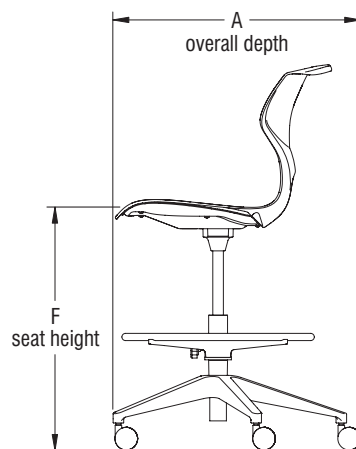
(top view)

Cogni Armless Task Mid Range Stools - (model CGI00M shown)

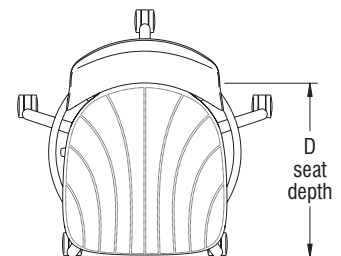
Model Number	A Overall Depth	B Overall Width	C Overall Height	D Seat Depth	E Seat Width	F Seat Height	G Backrest Width
CG6100M	25 ¹³ / ₁₆ "	26 ¹ / ₂ "	32 ¹ / ₂ "-39 ³ / ₄ "	18 ¹ / ₁₆ "	17 ¹ / ₁₆ "	17 ¹ / ₂ "-25"	16 ³ / ₈ "
CG6200M	25 ¹³ / ₁₆ "	26 ¹ / ₂ "	32 ¹ / ₂ "-39 ³ / ₄ "	18 ¹ / ₁₆ "	17 ¹ / ₁₆ "	18"-25 ¹ / ₂ "	16 ³ / ₈ "



(front view)



(side view)

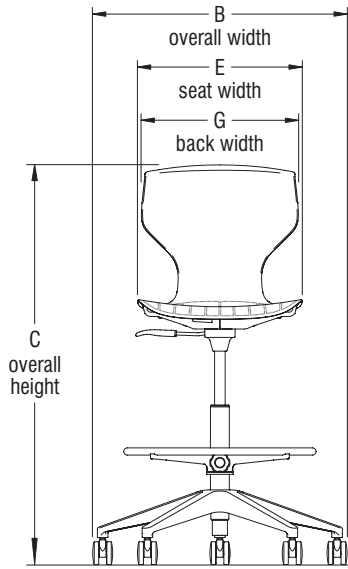


(top view)

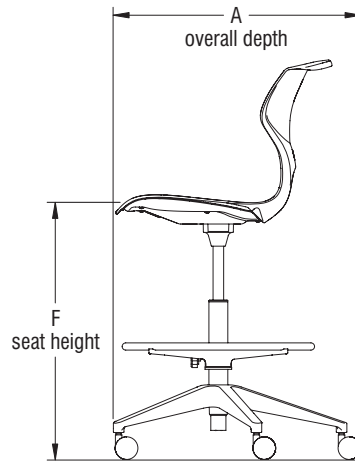
DIMENSIONS

Cogni Task Stools - (model CG6100 shown)

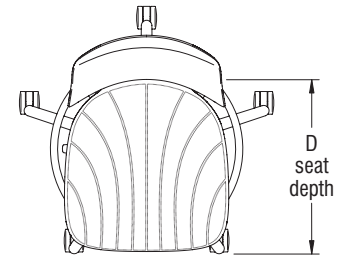
Model Number	A Overall Depth	B Overall Width	C Overall Height	D Seat Depth	E Seat Width	F Seat Height	G Backrest Width
CG6100	25 ¹³ / ₁₆ "	26 ¹ / ₂ "	37 ¹ / ₄ "-47 ³ / ₄ "	18 ¹ / ₁₆ "	17 ¹ / ₁₆ "	22 ¹ / ₂ "-33"	16 ³ / ₈ "
CG6200	25 ¹³ / ₁₆ "	26 ¹ / ₂ "	37 ¹ / ₄ "-47 ³ / ₄ "	18 ¹ / ₁₆ "	17 ¹ / ₁₆ "	23"-33 ¹ / ₂ "	16 ³ / ₈ "



(front view)



(side view)

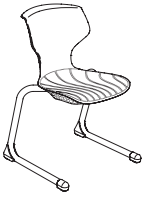


(top view)

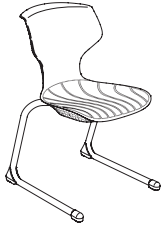
STATEMENT OF LINE

Cogni Cantilever Chairs

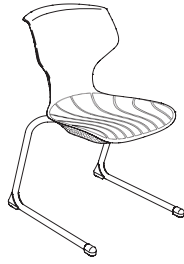
CODE COMPLIANCE



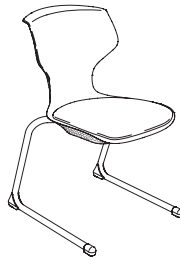
Small Chair
with Poly Seat
14" Seat Height
Glide Base
CGG100H14



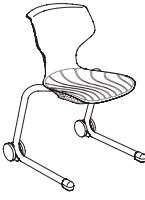
Medium Chair
with Poly Seat
16" Seat Height
Glide Base
CGG100H16



Large Chair
with Poly Seat
18" Seat Height
Glide Base
CGG100H18



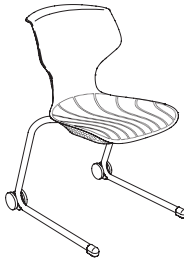
Large Chair
with Upholstered Seat
18" Seat Height
Glide Base
CGG200H18



Small Chair
with Poly Seat
14" Seat Height
Heel Wheel Base
CGM100H14



Medium Chair
with Poly Seat
16" Seat Height
Heel Wheel Base
CGM100H16

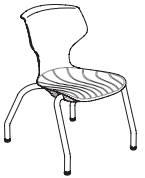


Large Chair
with Poly Seat
18" Seat Height
Heel Wheel Base
CGM100H18



Large Chair
with Upholstered Seat
18" Seat Height
Heel Wheel Base
CGM200H18

Cogni 4-Leg Chairs



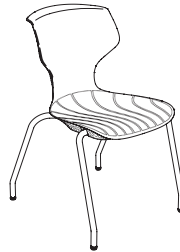
Extra Small Chair
with Poly Seat
12" Seat Height
Glide Base
CG1100H12



Small Chair
with Poly Seat
14" Seat Height
Glide Base
CG1100H14



Medium Chair
with Poly Seat
16" Seat Height
Glide Base
CG1100H16



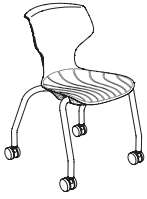
Large Chair
with Poly Seat
18" Seat Height
Glide Base
CG1100H18



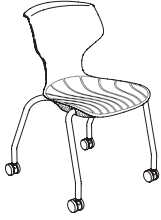
Large Chair
with Upholstered Seat
18" Seat Height
Glide Base
CG1200H18

STATEMENT OF LINE

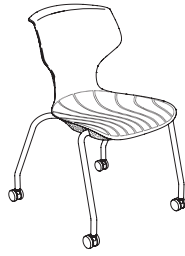
Cogni 4-Leg Chairs (cont.)



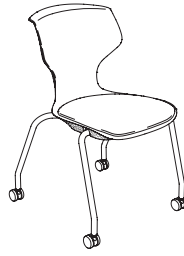
Small Chair
with Poly Seat
14" Seat Height
Caster Base
CG2100H14



Medium Chair
with Poly Seat
16" Seat Height
Caster Base
CG2100H16



Large Chair
with Poly Seat
18" Seat Height
Caster Base
CG2100H18



Large Chair
with Upholstered Seat
18" Seat Height
Caster Base
CG2200H18

Cogni 4-Leg Stools



Poly Seat
24" Seat Height
Glide Base
CG4100H24



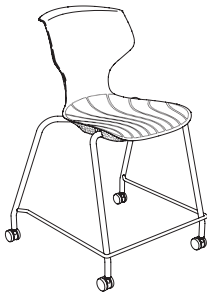
Poly Seat
30" Seat Height
Glide Base
CG4100H30



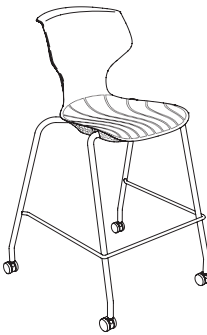
Upholstered Seat
24" Seat Height
Glide Base
CG4200H24



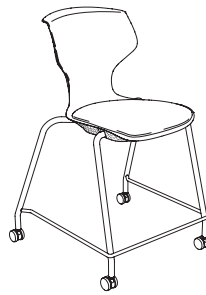
Upholstered Seat
30" Seat Height
Glide Base
CG4200H30



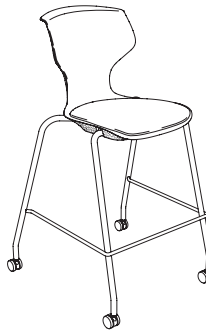
Poly Seat
24" Seat Height
Caster Base
CGN100H24



Poly Seat
30" Seat Height
Caster Base
CGN100H30



Upholstered Seat
24" Seat Height
Caster Base
CGN200H24



Upholstered Seat
30" Seat Height
Caster Base
CGN200H30

CODE COMPLIANCE



STATEMENT OF LINE

Cogni Task Chairs



Poly Seat
CG5100



Upholstered Seat
CG5200

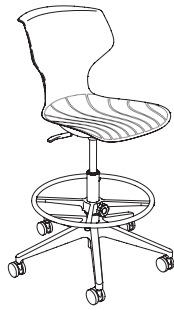
Cogni Task Stools



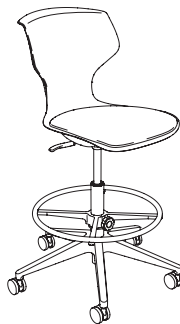
Poly Seat
Mid-Height Range
CG6100M



Upholstered Seat
Mid-Height Range
CG6200M



Poly Seat
CG6100



Upholstered Seat
CG6200

CODE COMPLIANCE

