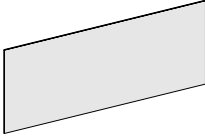




 **ASSEMBLY INSTRUCTIONS**   
DO NOT THROW AWAY!

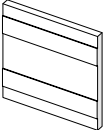
**INSTRUCCIONES DE ENSEMBLAJE**  
NO LA TIRE

**INSTRUCTIONS DE MONTAGE**  
NE PAS JETER

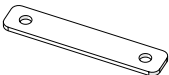
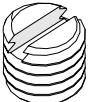
## Parts and Hardware

P1		*P	Glass Board
P2		x1/2	Blade Tray
P3		x1/2	Top Trim

### Adhesive Pack



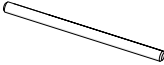


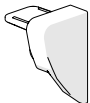
A1		*X	Adhesive Pad
----	--	----	--------------

### Joiner Pack

E1		*X	Joiner Plate
E2		x2/E1	Set Screw

\*P - # of panels per order  
\*X - custom # per order

## Tray and Trim Parts

C1		x1	Left Tray End
C2		x1	Right Tray End
C3		x0/1	Roll Pin
C4		x2/*P	Nylon Tip Adjuster
C5		x1	Left Trim End Cap
C6		x1	Right Trim End Cap

## Mounting Hardware

D1		*X	#10 x 1 1/4" Phillips Screw
D2		*X	Dry Wall Anchor
D3		*X	Masonry Anchor
D4		*X	Wall Mount Clip

This page includes only the hardware provided that may be required for this instruction. Additional hardware may be included.

## **WARNINGS AND DISCLAIMERS**

Review full assembly instructions and check that all parts are present before beginning assembly. Heavy or large furniture may require multiple persons in order to properly assemble. If you have questions regarding assembly, contact the manufacturer before continuing. Damage due to incorrect assembly may not be covered by warranty. Do not use product unless all screws are tight. Check all screws for tightness at least every six months. If parts are broken, missing, damaged, or worn, stop use of the product until repairs are made by your dealer using factory authorized parts.

## **ADVERTENCIAS Y RENUNCIAS**

Previo a comenzar el proceso de ensamblaje favor de revisar las instrucciones y asegurarse que cuenta con todas las partes y materiales necesarios. Es posible que los muebles grandes o pesados, requieran mas de una persona para ensamblarlos correctamente. Por favor contacte al fabricante directamente si tiene alguna duda o pregunta antes de continuar con el proceso de armado del producto. La garantía no cubrirá daños que ocurrieron por errores cometidos durante el proceso de ensamblaje. Todos los tornillos deben estar ajustados previo el uso del producto. Debe revisar los tornillos periódicamente, por lo menos cada seis meses y asegurarse de que estén bien ajustados. Por favor detenga el uso del producto si partes del producto se pierden, rompen, se deterioran por uso o se rompen. Favor de contactar a su distribuidor para que le envíen las partes necesarias o realice las reparaciones necesarias con partes autorizadas por el fabricante.

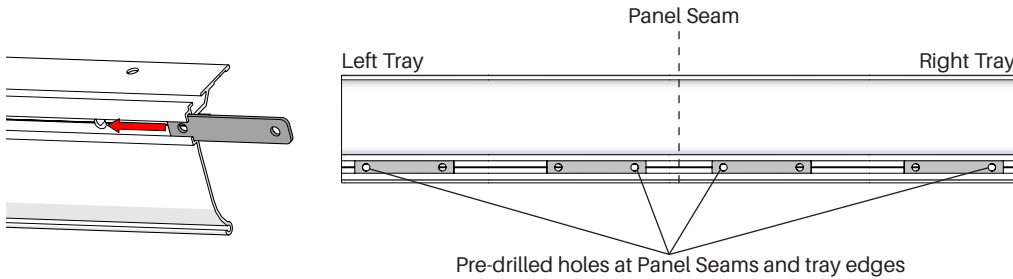
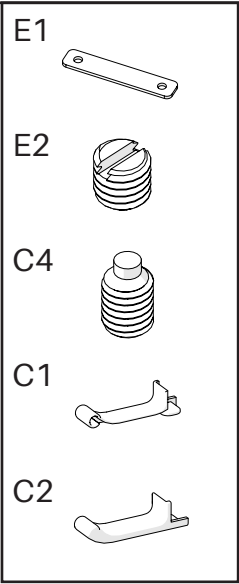
## **AVERTISSEMENTS**

Avant de commencer l' assamblage veuillez consulter les instructions complètes et vérifier si vous avez toutes les pièces nécessaires. Il est possible que plusieurs personnes soient nécessaires pour assemble des meubles grand ou lourds. En cas de doute sur l' assamblage contactez le fabricant avant de continuer. Les dommages encourus pendant l' assamblage ne seront pas couvert par la garantie. Ne pas utiliser le produit sans vérifier que tous les vis soient serrées. Vérifiez que les vis sont serrées au moins tous le 6 mois. Si aucune pièce se casse, manque, est endommagée ou usée, arrêtez d' utiliser de produit jusqu'à ce que le vendeur le repaire a l'aide de pièces autorisées par la fabricant.

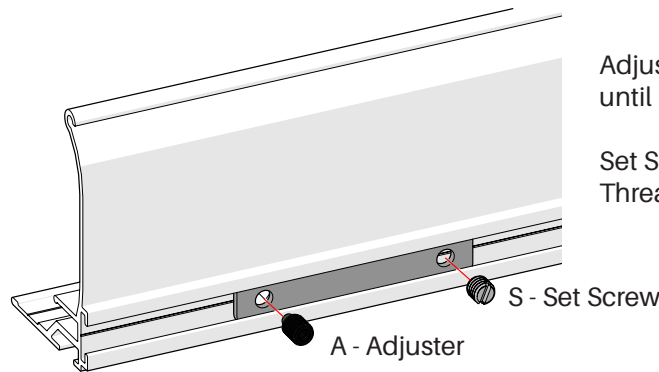
# STEP 1A

Assembly for single piece tray. See STEP 1B for two piece tray assembly.

Insert joiners (E1) into tray bottom channel. Slide in two joiners for every panel (i.e. 4 joiners for 2 panels). Move joiners along bottom channel until one hole on every joiner is lined up with a pre-drilled hole. Be sure not to cover any pre-drilled holes by mistake.



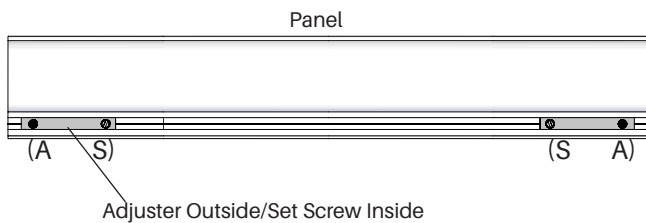
Insert set screws (E2) and adjusters (C4) through joiners. All pre-drilled holes in tray bottom will need an adjuster. Any hole in joiner not aligned with a hole in the tray should receive a set screw. See pictures below for joiner and set screw positioning.



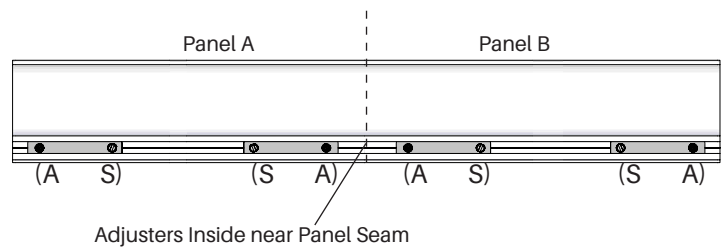
Adjusters use allen wrench. Thread until head is flush with top of channel.

Set Screws use flat-head screwdriver. Thread until hand tight.

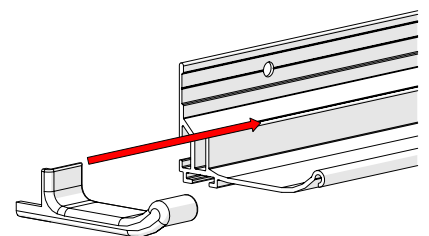
Single Tray Single Panel:



Single Tray Multi Panel:



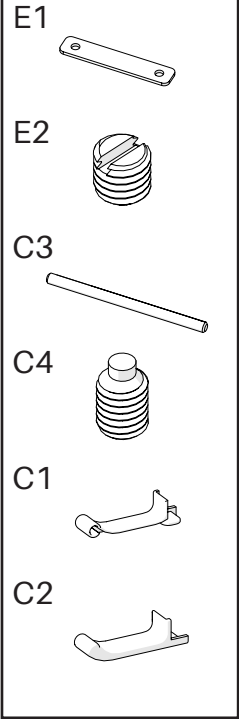
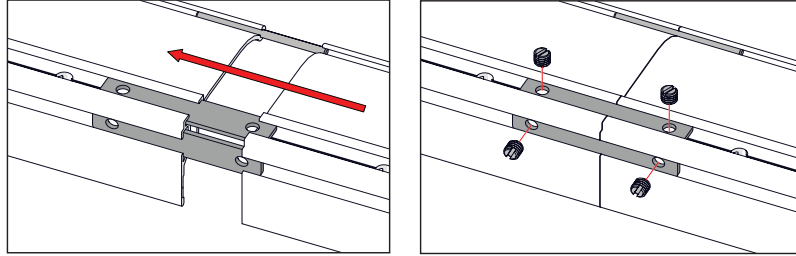
Complete tray assembly by pressing in Tray Ends (C1 and C2).



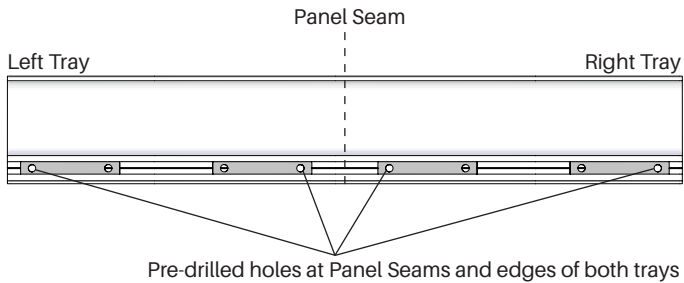
# STEP 1B

## Assembly for two piece glass board tray.

First splice two tray pieces together. Use one joiner (E1) on bottom channel and another on back channel with 2 set screws (E2) each. These joiners should not cover any pre-drilled holes in tray. A roll pin should also be added beneath the tray's front lip.



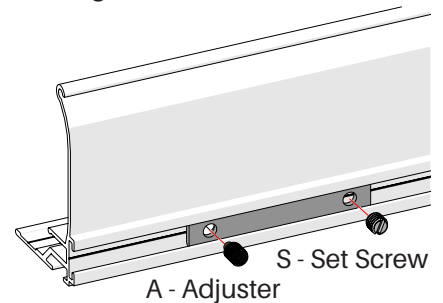
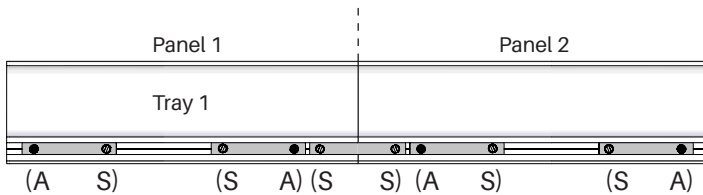
Next slide in additional joiners from ends of tray. Insert two joiners for every panel, half on each side of the splice (i.e. for 4 panels insert 4 joiners from the left and 4 from the right). Move joiners along bottom channel until one hole on every joiner is lined up with a pre-drilled hole. All pre-drilled holes in tray bottom will need an adjuster (C4). Any hole in joiner not aligned with hole in tray should receive a set screw.



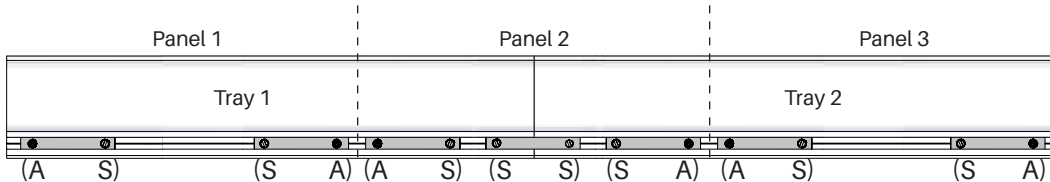
Adjusters use allen wrench. Thread until head is flush with top of channel.

Set Screws use flat-head screwdriver. Thread until hand tight.

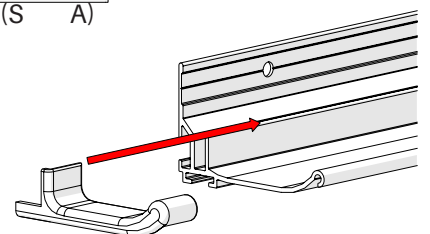
### Panel Seam at Tray Splice (Even Number of Panels)



### Panel Seam and Tray Splice Offset (Odd Number of Panels)



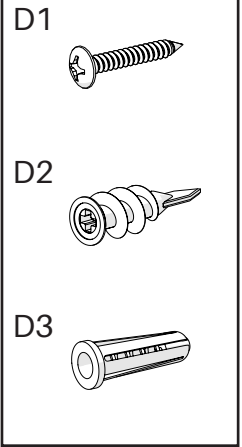
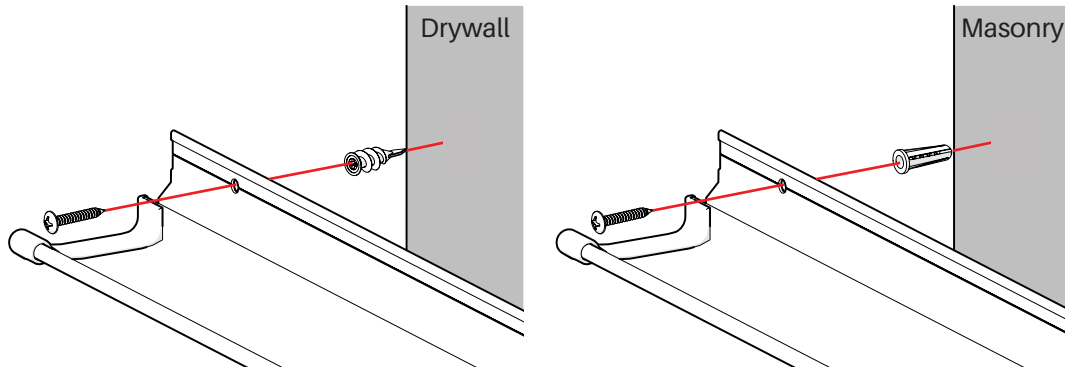
Complete tray assembly by pressing in Tray Ends (C1 and C2).



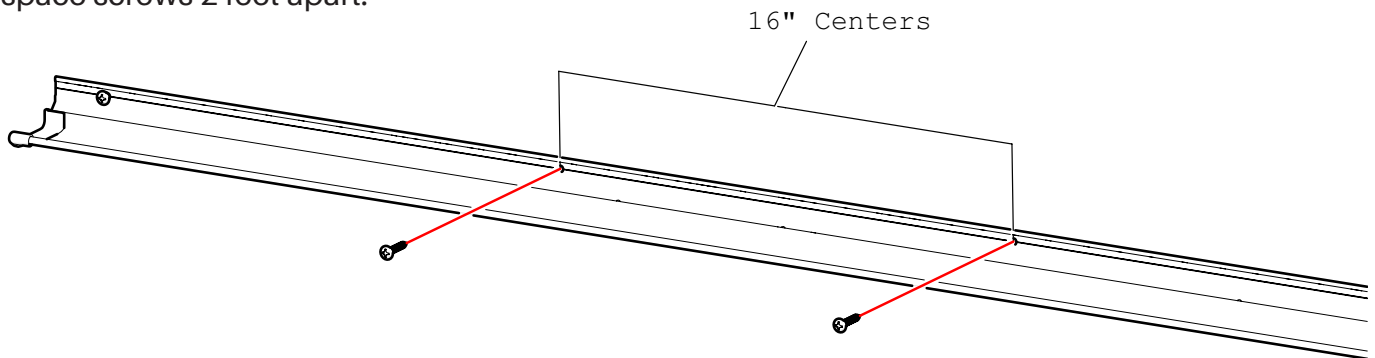
## STEP 2

### Mounting glass board tray to wall.

Place tray in desired location on wall. Mark anchor points using pre-drilled holes in back of tray piece. Install anchors at any mark not on a stud. Use drywall anchors (D2) or masonry anchors (D3) as needed and follow with screw (D1) through tray holes. Add shims if necessary to ensure tray is straight on wall. Check with level.



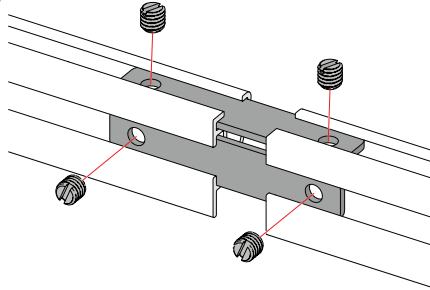
Using an electric drill and a 3/16" bit, drill holes in tray at every stud between anchors. Be careful to drill through tray only, not all the way through the wall. Drive screws (D1) through drill holes and into studs. For some studs it may be necessary to pre-drill smaller pilot holes before driving in screws. Picture shown assumes 16" centers for stud spacing. For masonry or drywall installations space screws 2 feet apart.



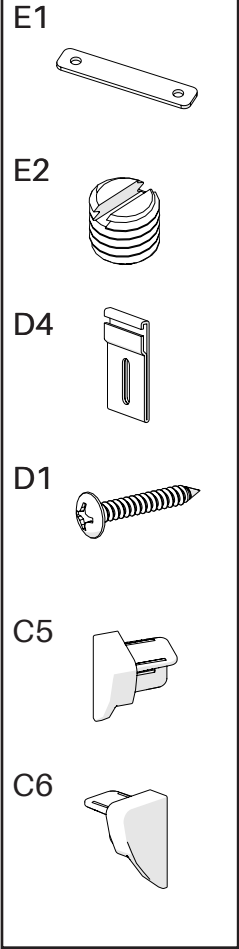
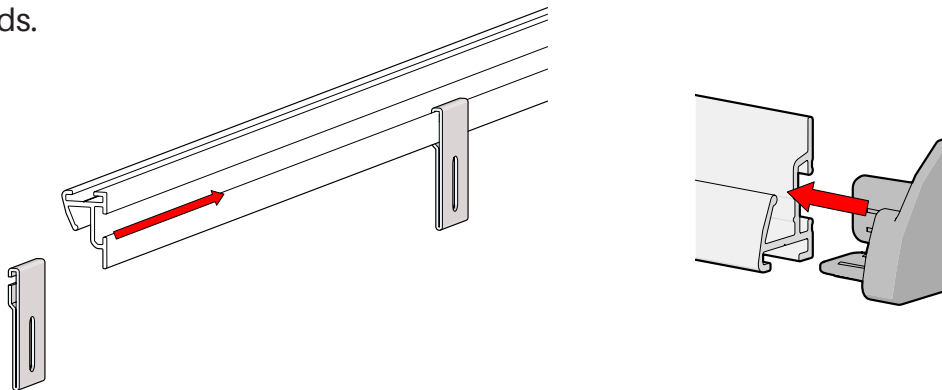
# STEP 3

## Mounting top trim to wall.

If using two pieces of trim, splice with joiners (E1) before attaching to wall. Will need two joiners, one in top channel, one in back channel. Secure with set screws (E2) before proceeding.



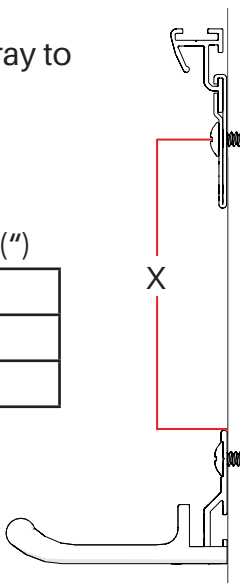
Insert wall mount clips (D4) along back edge of trim as shown. Will need one clip per stud plus one more clip at each of the ends of full length of trim. Slide on from both ends after splicing trim pieces. Push in plastic end caps (C5, C6) at trim ends.



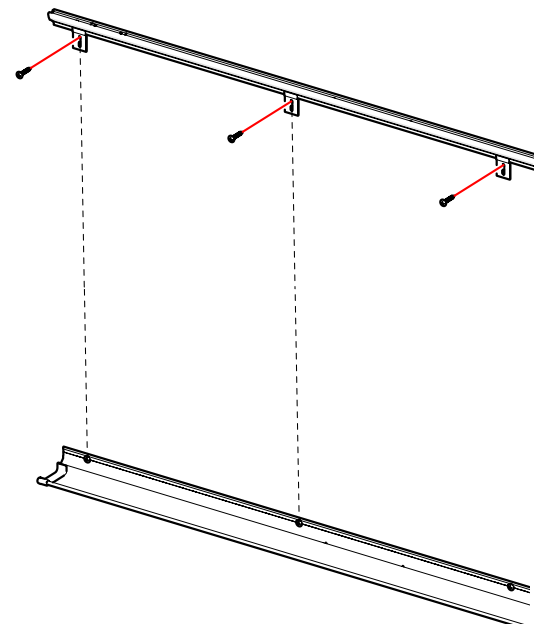
Using the spacing guide below, measure distance up from tray where screws for trim will be placed. Screws (D1) should be driven through slots on wall mount clips into same studs used for tray. Clips should be snug against wall but not so tight as to prevent them from sliding up on the wall with the screws

Distance between top edge of tray to upper trim screw center:

Panel Height (ft)	Distance X (")
4 ft	44 3/8"
6 ft	68"
8 ft	91 5/8"



\*\*\*Due to slight variations in walls make sure to check measurements first with one panel before proceeding to install entire length of trim

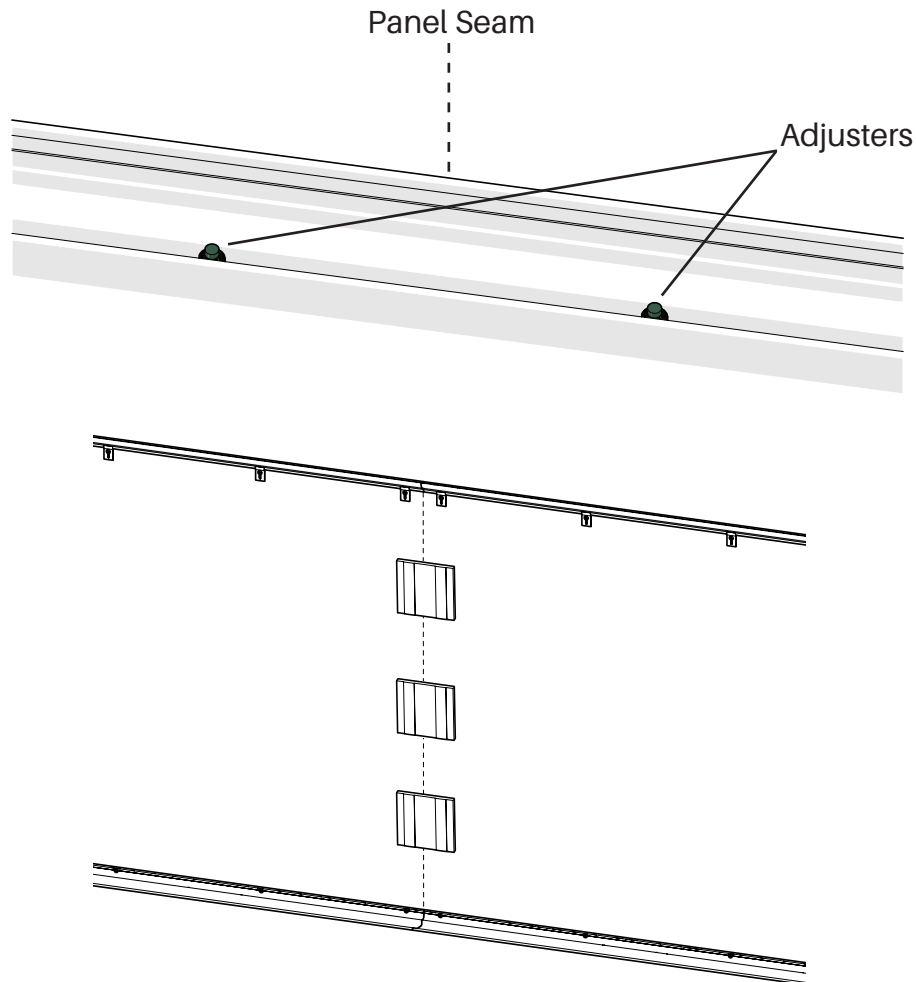
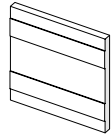


## STEP 4

*For multiple panel installations only - Attach adhesive pads to wall.*

Remove backer off adhesive strips on one side of pads. Apply pad directly to wall being careful to center it along where vertical panel seam will be. Identify location of panel seams by marking halfway points between adjuster screw pairs above tray. Picture a vertical line extending from these marks up to the top trim. This should be roughly where panel seam will be. Be sure tape strips are vertical during placement.

B1

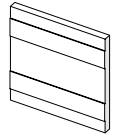


If installing 6 feet or 8 feet high panels, use no less than 3 pads per seam. For 4 foot tall boards 2 pads should be sufficient.

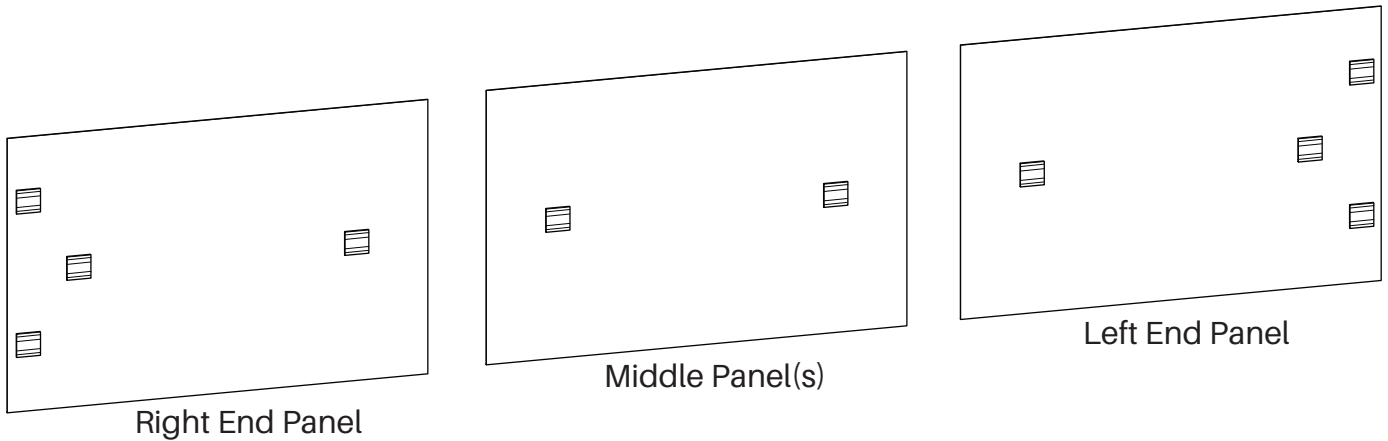
## STEP 5

Attach adhesive pads to panel backs.

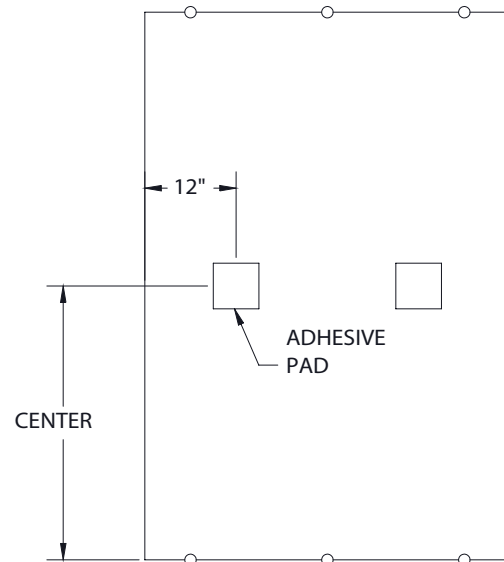
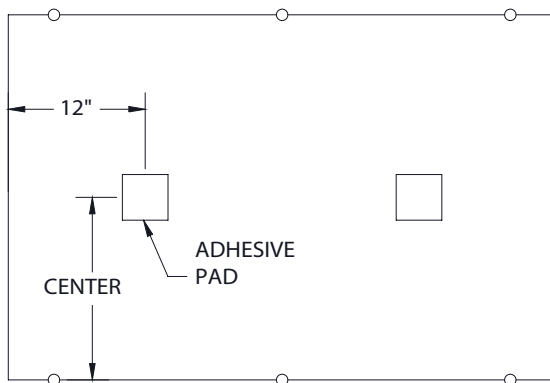
B1



Peel one side of backer off adhesive pads (B1) and apply to back of glass panels. See pictures below for pad placement. Each panel will receive at least two pads regardless of size. Do not peel backer on other side.



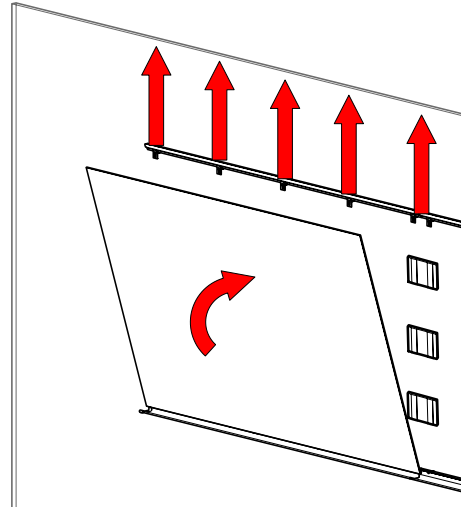
For 6 ft boards pads should be placed approximately 12" from left and right edges whether panel is positioned horizontally or vertically. Pads should be vertically centered on the panel. For 8 ft boards space pads 24" from either edge. The two end panels should get two extra pads applied to each to brace the edges. These should be placed as close to the edge as possible without being visible (2-3").



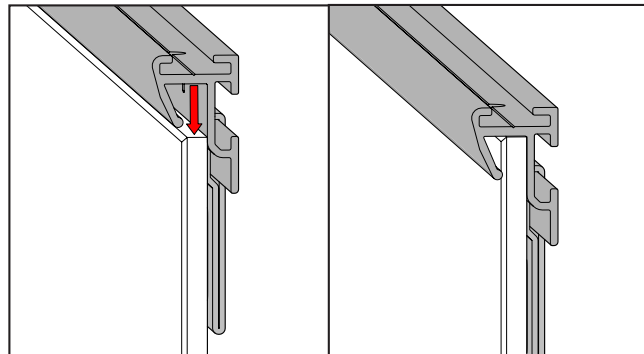
## STEP 6

*Set panels into tray and trim.*

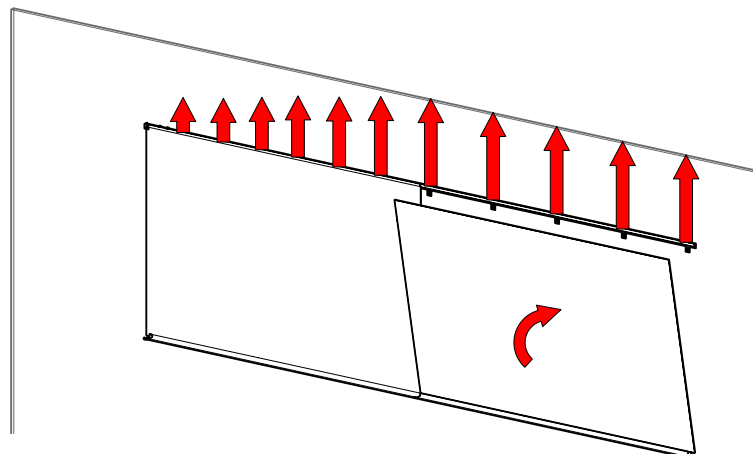
To set in first panel, slide entire length of top trim upward to make room for top of panels. Insert bottom of panel into tray at an angle then push top towards wall.



Once panel is positioned vertically begin to slide top trim directly above first panel back into place by fitting panel into trim. If installing a single panel proceed to Step 8.



To set additional panels lift up some of upper trim used to hold first panel in place. Lift up just enough trim to allow space for top of second panel then set trim back down. Once second panel is secure repeat step for third panel and so on until all panels have been placed and top trim is in proper position.

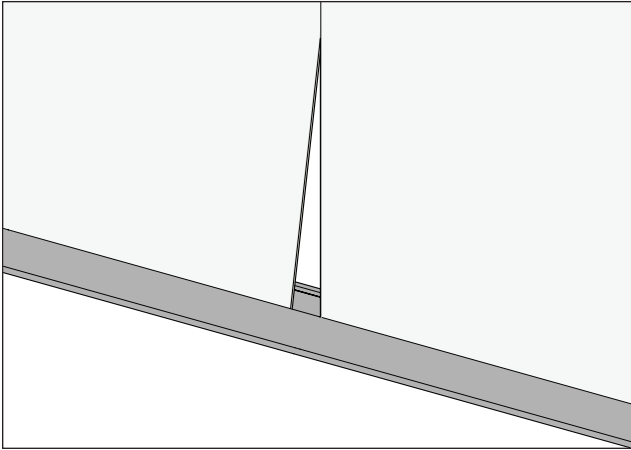


## STEP 7

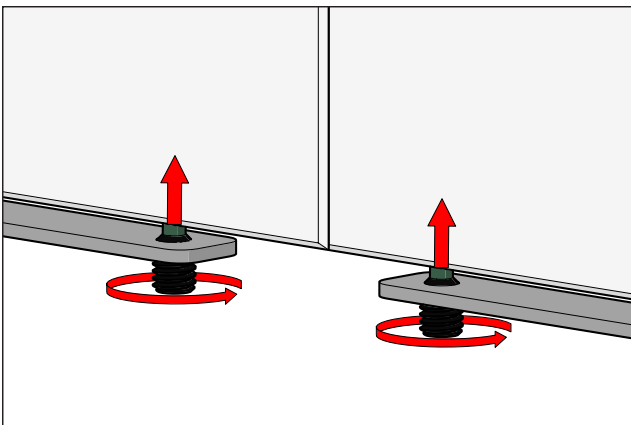
*Adjust panel height at seams.*

Using adjusters previously inserted in tray, raise and lower panels to ensure flush seams across entire board. Use pictures below as guides in deciding where to make panel height adjustments.

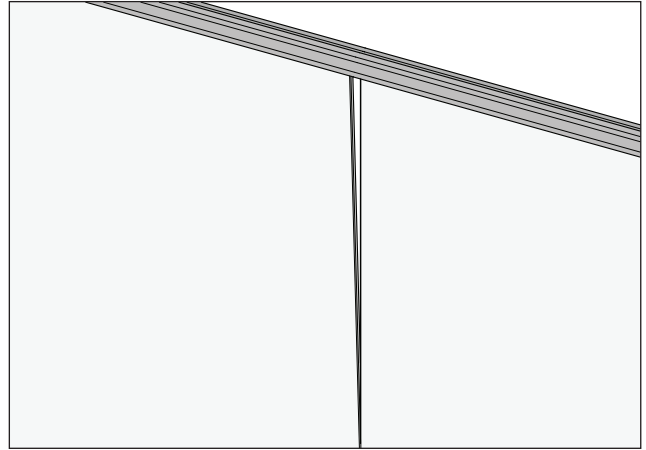
Situation 1: Gap at bottom of seam



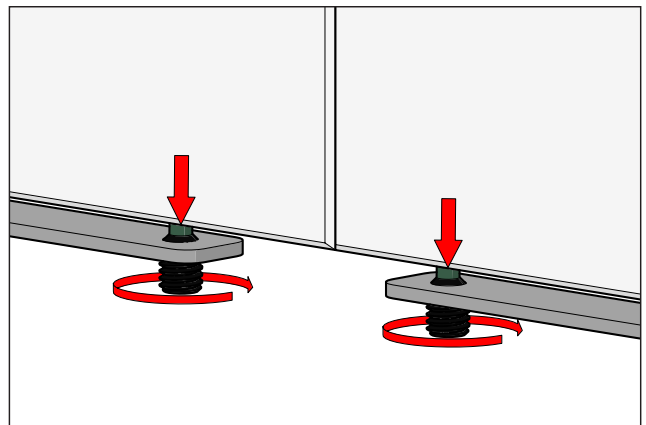
Raise Adjusters on one or both panels nearest the gap.



Situation 2: Gap at top of seam



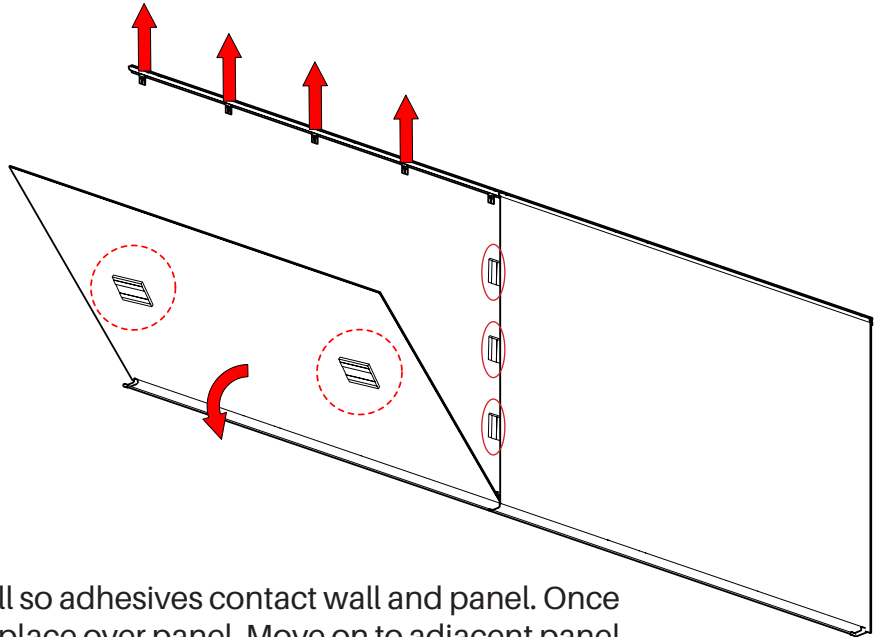
Lower Adjusters on one or both panels nearest the gap.



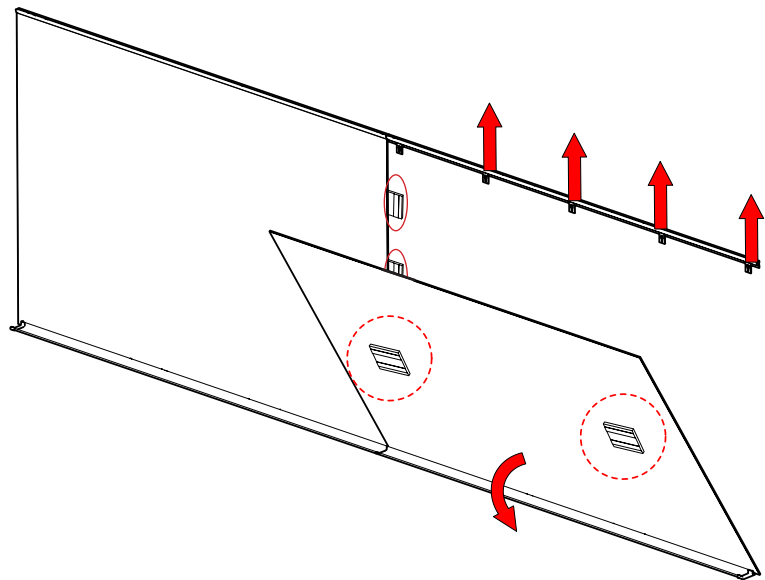
## STEP 8

*Remove adhesive and stick panels to wall.*

With all adjustments complete, adhesive backers on pads (B1) can be removed and panels stuck to wall. Start with one panel on either end of board. Lift up top trim enough to lower panel away from wall without removing from tray. Lower enough that backer on both adhesive pads on board and visible strips on wall can be peeled off.



Carefully push panel back into wall so adhesives contact wall and panel. Once complete lower top trim back into place over panel. Move on to adjacent panel and repeat step until all panel adhesives have been placed.



**THIS COMPLETES ASSEMBLY INSTRUCTION**