



OVERVIEW

The Agree Table was created to support the evolving needs of upper-grade classrooms, CTE spaces, and higher education environments. As instruction becomes more collaborative, technology-rich, and student-driven, the Agree Table provides a clean, professional foundation that adapts to how learning happens today, while signaling a more adult, high aesthetic experience for students.

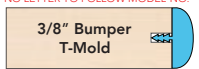
MATERIALS

High-pressure laminate (HPL) worksurfaces are 1-1/8" (30mm) nominal finished thickness and feature balanced construction to prevent bowing or warping, with 0.028 inch (.71mm) thick high-pressure laminate on the top surface and a resin backer on the bottom. The particleboard wood core is 45 lb/cu ft (720.8 kg/cu m) density. The laminate and backer are permanently attached with PVA adhesive and reinforced under pressure to the wood core. 1/8" (3mm) thick plastic edgeband is applied to the entire perimeter of the worksurface to prevent any outgassing from exposed wood core. T-mold also available.

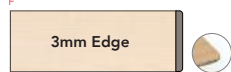
Formed tubular steel leg is 1-1/2" (40mm) dia. x 13 ga. (.095" or 2mm nom.) welded to a 5-1/2" (140mm) x 6-1/16" (154.5mm) mounting plate of 3/16" thick (4.7mm) thick steel. Optional 3" (68.6mm) dual wheel swivel casters.

AGREE TOP & EDGE PROFILE

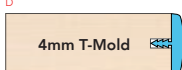
1 1/4" TOP W/ BUMPER T-MOLD
NO LETTER TO FOLLOW MODEL NO.



1 1/4" TOP W/ 3MM - ROUND CORNERS
F

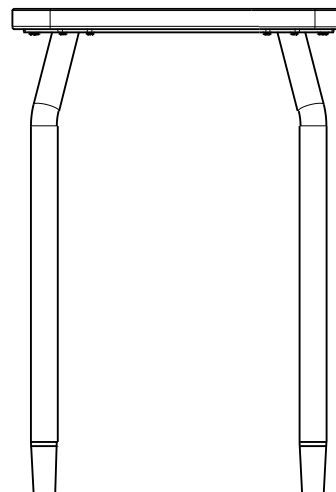
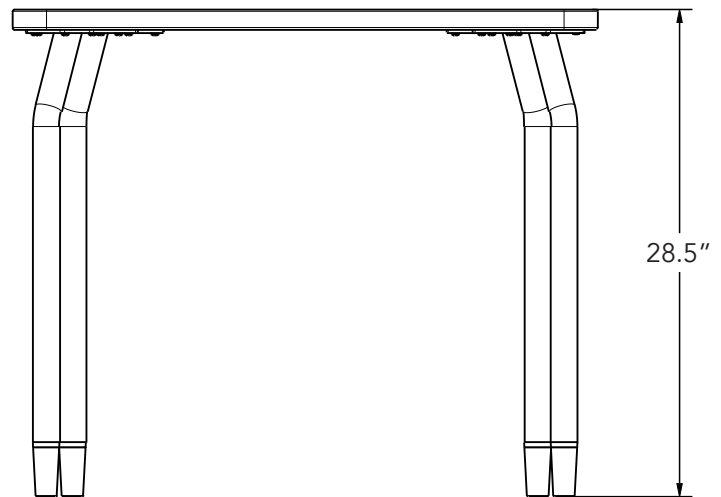
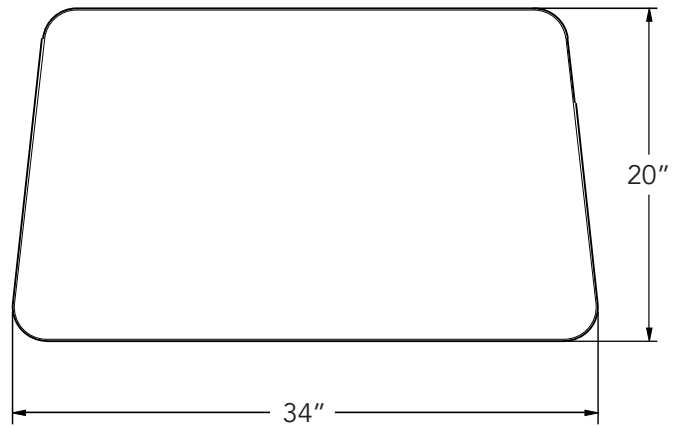


1 1/4" TOP W/ 4MM T-MOLD
D



DIMENSIONS

Model	Description	D"	W"	H"
02515	20"x34" Keystone Table	20	34	28.5
02515F	20"x34" Keystone Table w/ 3mm Edgeband	20	34	28.5





OVERVIEW

The Agree Table was created to support the evolving needs of upper-grade classrooms, CTE spaces, and higher education environments. As instruction becomes more collaborative, technology-rich, and student-driven, the Agree Table provides a clean, professional foundation that adapts to how learning happens today, while signaling a more adult, high aesthetic experience for students.

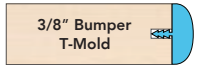
MATERIALS

High-pressure laminate (HPL) worksurfaces are 1-1/8" (30mm) nominal finished thickness and feature balanced construction to prevent bowing or warping, with 0.028 inch (.71mm) thick high-pressure laminate on the top surface and a resin backer on the bottom. The particleboard wood core is 45 lb/cu ft (720.8 kg/cu m) density. The laminate and backer are permanently attached with PVA adhesive and reinforced under pressure to the wood core. 1/8" (3mm) thick plastic edgeband is applied to the entire perimeter of the worksurface to prevent any outgassing from exposed wood core. T-mold also available.

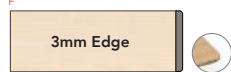
Formed tubular steel leg is 1-1/2" (40mm) dia. x 13 ga. (.095" or 2mm nom.) welded to a 5-1/2" (140mm) x 6-1/16" (154.5mm) mounting plate of 3/16" thick (4.7mm) thick steel. Optional 3" (68.6mm) dual wheel swivel casters.

AGREE TOP & EDGE PROFILE

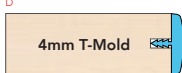
1 1/4" TOP W/ BUMPER T-MOLD
NO LETTER TO FOLLOW MODEL NO.



1 1/4" TOP W/ 3MM - ROUND CORNERS
F

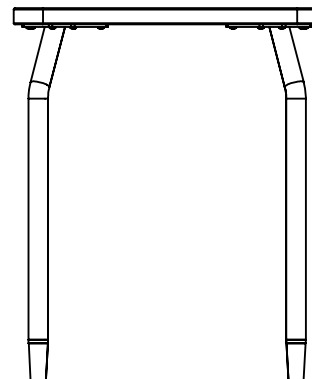
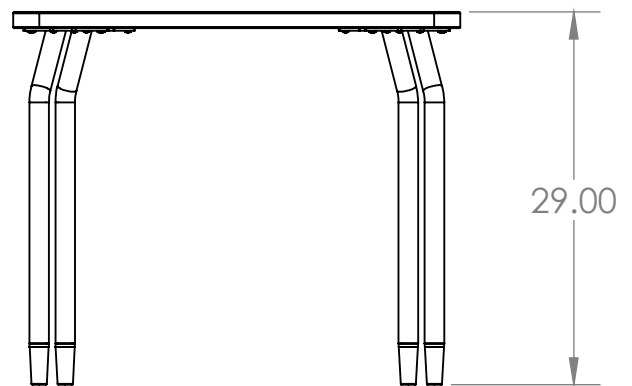
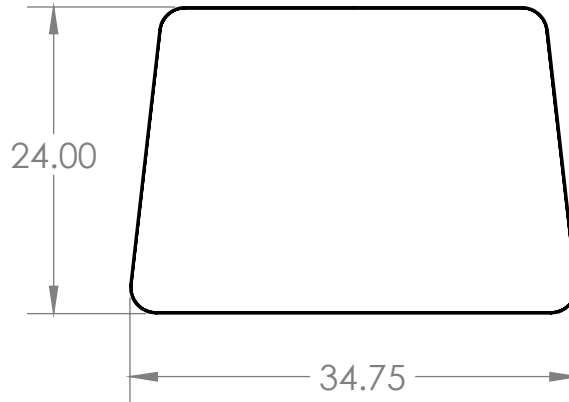


1 1/4" TOP W/ 4MM T-MOLD
D



DIMENSIONS

Model	Description	D"	W"	H"
02516	24"x34" Keystone Table	24	34	28.5
02516F	24"x34" Keystone Table w/ 3mm Edgeband	24	34	28.5



STANDARD LAMINATE OPTIONS

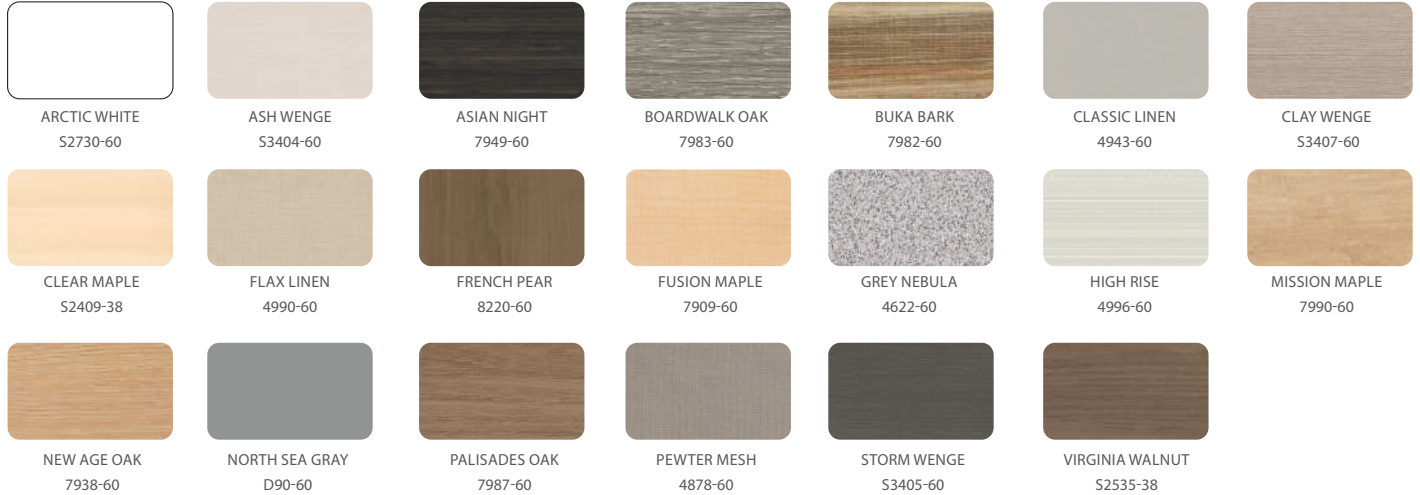
Want to specify a different laminate?

No problem. If you have 20 or more tops of the same color -60 or -38 there is no upcharge. Have 20 or less? We can quote for you with the Wilsonart code and finish style. We can specify other laminates – call to inquire and get a quote.



Make it mobile with 3" casters
Order Model 17576

SUGGESTED LAMINATE OPTIONS



STANDARD EDGE COLOR OPTIONS



All 20 of the standard laminates are -60 finish, if you need to match a laminate from a previous year, please let us know on your order (example Pewter Mesh 4878-38, our standard is -60).

When the WilsonArt Laminate code includes a "Y", "K", "-12" "-78", "Aeon" etc, these are special laminates with an upcharge, even when it contains -38 or -60.

EDGE COLOR OPTIONS WITH ADDITIONAL LEAD TIME



LEG COLOR OPTIONS

