



OVERVIEW

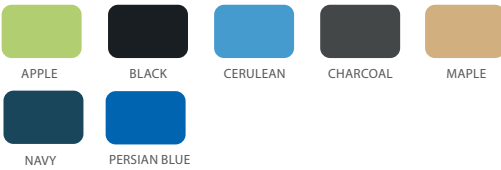
Comfortable seat helps students keep proper posture and provides support for back and legs. Flat seat pan with waterfall front edge. Available in 6 sizes, 8", 10", 12", 14", 16" and 18". ([View Height Guide](#)) Chair shell comes in 13 colors and frame in chrome or platinum.

MATERIALS

The shell is 100% virgin polypropylene material with a shallow seat pan allowing four-position seating for infinite seating styles. The back supplies rigid support while being specifically designed with added flexibility that adapts to individual requirements and supplies long lasting comfort. The shell includes an integrated handle molded in for easy movement of the chair.

The frame is constructed of strong 1" x 18-gauge tubing that is chrome plated for long lasting, durable finish is capped off with our durable nylon base swivel glides (steel and felt also available). The shell is attached to 16-gauge brackets via a metal to metal steel riveted connection and includes an integrated handle molded in for easy pick-up and moving of the chair.

SHELL COLOR OPTIONS



ADDITIONAL LEAD TIME SHELL COLOR OPTIONS:



FRAME COLOR OPTIONS

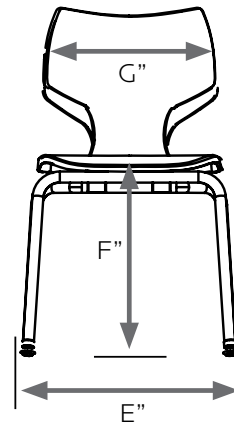
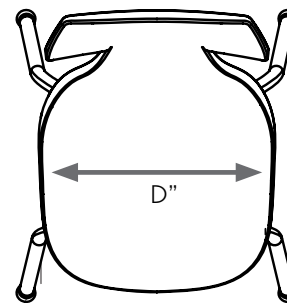
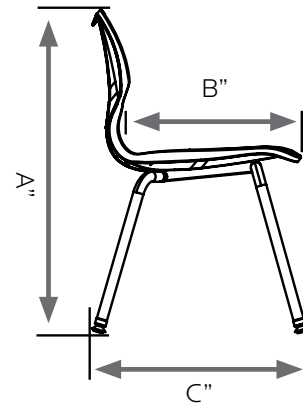


GLIDE OPTIONS:

Nylon glide is standard
Felt glide option: add "F" to follow model#
Steel glide option: add "S" to follow model#
(Set of 4 installed - upcharge for felt or steel glide)
[View Glide Guide](#)

DIMENSIONS

Model	Shell (H")	A	B	C	D	E	F	G	WT
11844	C (8")	18	12	13.5	12	15	8	11	6





OVERVIEW

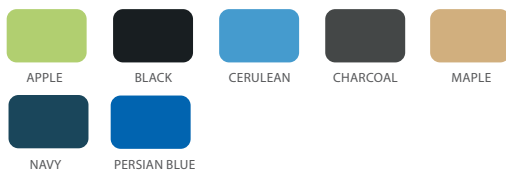
Comfortable seat helps students keep proper posture and provides support for back and legs. Flat seat pan with waterfall front edge. Available in 6 sizes, 8", 10", 12", 14", 16" and 18". ([View Height Guide](#)) Chair shell comes in 13 colors and frame in chrome or platinum.

MATERIALS

The shell is 100% virgin polypropylene material with a shallow seat pan allowing four-position seating for infinite seating styles. The back supplies rigid support while being specifically designed with added flexibility that adapts to individual requirements and supplies long lasting comfort. The shell includes an integrated handle molded in for easy movement of the chair.

The frame is constructed of strong 1" x 18-gauge tubing that is chrome plated for long lasting, durable finish is capped off with our durable nylon base swivel glides (steel and felt also available). The shell is attached to 16-gauge brackets via a metal to metal steel riveted connection and includes an integrated handle molded in for easy pick-up and moving of the chair.

SHELL COLOR OPTIONS



ADDITIONAL LEAD TIME SHELL COLOR OPTIONS:



FRAME COLOR OPTIONS

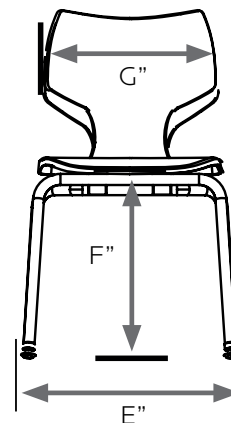
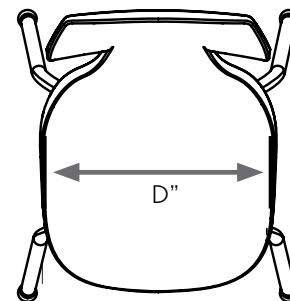
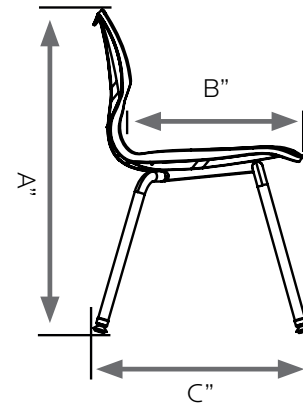


GLIDE OPTIONS:

Nylon glide is standard
Felt glide option: add "F" to follow model#
Steel glide option: add "S" to follow model#
(Set of 4 installed - upcharge for felt or steel glide)
[View Glide Guide](#)

DIMENSIONS

Model	Shell (H")	A	B	C	D	E	F	G	WT
11845	C (10")	20	12	13.5	12	15	10	11	7





OVERVIEW

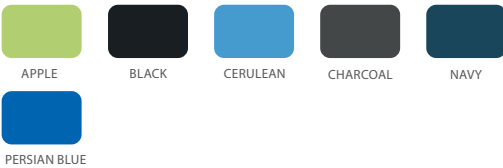
Comfortable seat helps students keep proper posture and provides support for back and legs. Flat seat pan with waterfall front edge. Available in 6 sizes, 8", 10", 12", 14", 16" and 18". [\(View Height Guide\)](#) Chair shell comes in 13 colors and frame in chrome or platinum.

MATERIALS

The shell is 100% virgin polypropylene material with a shallow seat pan allowing four-position seating for infinite seating styles. The back supplies rigid support while being specifically designed with added flexibility that adapts to individual requirements and supplies long lasting comfort. The shell includes an integrated handle molded in for easy movement of the chair.

The frame is constructed of strong 1" x 18-gauge tubing that is chrome plated for long lasting, durable finish is capped off with our durable nylon base swivel glides (steel and felt also available). The shell is attached to 16-gauge brackets via a metal to metal steel riveted connection and includes an integrated handle molded in for easy pick-up and moving of the chair.

SHELL COLOR OPTIONS



ADDITIONAL LEAD TIME SHELL COLOR OPTIONS:



FRAME COLOR OPTIONS

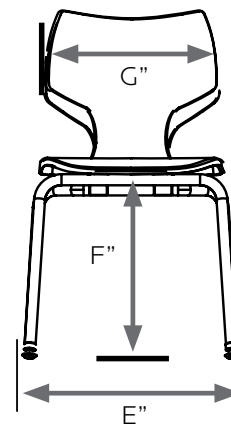
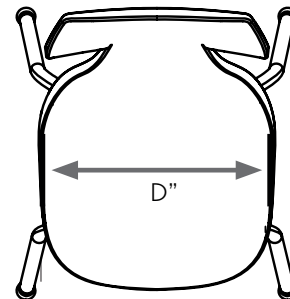
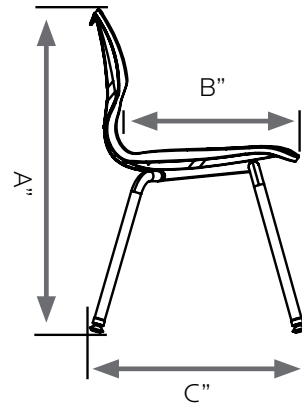


GLIDE OPTIONS:

Nylon glide is standard
Felt glide option: add "F" to follow model#
Steel glide option: add "S" to follow model#
(Set of 4 installed - upcharge for felt or steel glide)
[View Glide Guide](#)

DIMENSIONS

Model	Shell (H")	A	B	C	D	E	F	G	WT
11847	B (14")	26	14.5	17	14.5	17.5	14	13.75	9





OVERVIEW

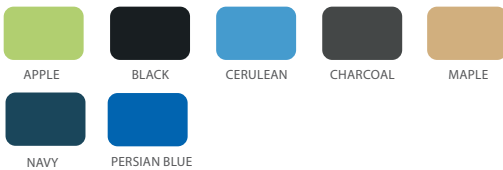
Comfortable seat helps students keep proper posture and provides support for back and legs. Flat seat pan with waterfall front edge. Available in 6 sizes, 8", 10", 12", 14", 16" and 18". ([View Height Guide](#)) Chair shell comes in 13 colors and frame in chrome or platinum.

MATERIALS

The shell is 100% virgin polypropylene material with a shallow seat pan allowing four-position seating for infinite seating styles. The back supplies rigid support while being specifically designed with added flexibility that adapts to individual requirements and supplies long lasting comfort. The shell includes an integrated handle molded in for easy movement of the chair.

The frame is constructed of strong 1" x 18-gauge tubing that is chrome plated for long lasting, durable finish is capped off with our durable nylon base swivel glides (steel and felt also available). The shell is attached to 16-gauge brackets via a metal to metal steel riveted connection and includes an integrated handle molded in for easy pick-up and moving of the chair.

SHELL COLOR OPTIONS



ADDITIONAL LEAD TIME SHELL COLOR OPTIONS:



FRAME COLOR OPTIONS

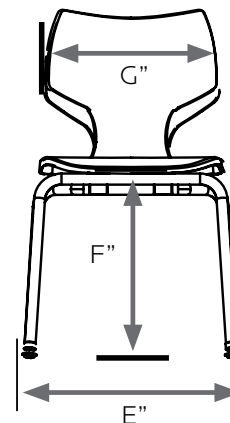
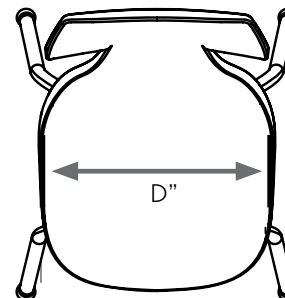
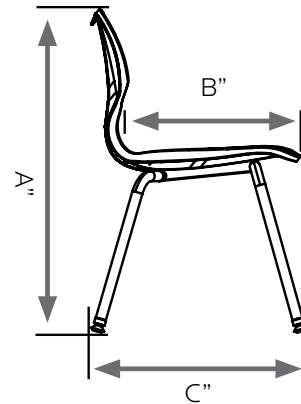


GLIDE OPTIONS:

Nylon glide is standard
Felt glide option: add "F" to follow model#
Steel glide option: add "S" to follow model#
(Set of 4 installed - upcharge for felt or steel glide)
[View Glide Guide](#)

DIMENSIONS

Model	Shell (H")	A	B	C	D	E	F	G	WT
11846	C (12")	22	12	14.5	12	15	12	11	7





OVERVIEW

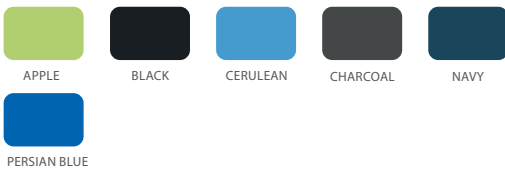
Comfortable seat helps students keep proper posture and provides support for back and legs. Flat seat pan with waterfall front edge. Available in 6 sizes, 8", 10", 12", 14", 16" and 18". ([View Height Guide](#)) Chair shell comes in 13 colors and frame in chrome or platinum.

MATERIALS

The shell is 100% virgin polypropylene material with a shallow seat pan allowing four-position seating for infinite seating styles. The back supplies rigid support while being specifically designed with added flexibility that adapts to individual requirements and supplies long lasting comfort. The shell includes an integrated handle molded in for easy movement of the chair.

The frame is constructed of strong 1" x 18-gauge tubing that is chrome plated for long lasting, durable finish is capped off with our durable nylon base swivel glides (steel and felt also available). The shell is attached to 16-gauge brackets via a metal to metal steel riveted connection and includes an integrated handle molded in for easy pick-up and moving of the chair.

SHELL COLOR OPTIONS



ADDITIONAL LEAD TIME SHELL COLOR OPTIONS:



FRAME COLOR OPTIONS

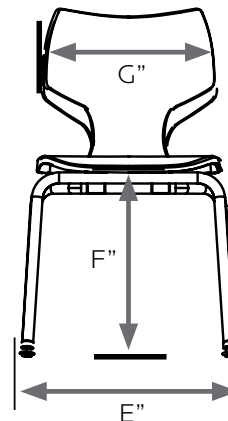
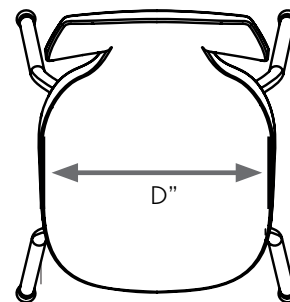
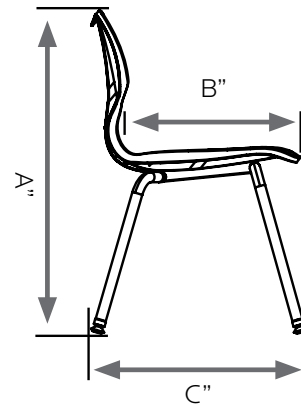


GLIDE OPTIONS:

Nylon glide is standard
Felt glide option: add "F" to follow model#
Steel glide option: add "S" to follow model#
(Set of 4 installed - upcharge for felt or steel glide)
[View Glide Guide](#)

DIMENSIONS

Model	Shell (H")	A	B	C	D	E	F	G	WT
11849	A (18")	31	16	20.5	16	19.5	18	15	10





OVERVIEW

Comfortable seat helps students keep proper posture and provides support for back and legs. Flat seat pan with waterfall front edge. Available in 6 sizes, 8", 10", 12", 14", 16" and 18". ([View Height Guide](#)) Chair shell comes in 13 colors and frame in chrome or platinum.

MATERIALS

The shell is 100% virgin polypropylene material with a shallow seat pan allowing four-position seating for infinite seating styles. The back supplies rigid support while being specifically designed with added flexibility that adapts to individual requirements and supplies long lasting comfort. The shell includes an integrated handle molded in for easy movement of the chair.

The frame is constructed of strong 1" x 18-gauge tubing that is chrome plated for long lasting, durable finish is capped off with our durable nylon base swivel glides (steel and felt also available). The shell is attached to 16-gauge brackets via a metal to metal steel riveted connection and includes an integrated handle molded in for easy pick-up and moving of the chair.

SHELL COLOR OPTIONS



ADDITIONAL LEAD TIME SHELL COLOR OPTIONS:



FRAME COLOR OPTIONS



GLIDE OPTIONS:

Nylon glide is standard
Felt glide option: add "F" to follow model#
Steel glide option: add "S" to follow model#
(Set of 4 installed - upcharge for felt or steel glide)
[View Glide Guide](#)

DIMENSIONS

Model	Shell (H")	A	B	C	D	E	F	G	WT
11848	B (16")	29	14.5	18	14.5	17.5	16	13.75	9

