



OVERVIEW

Comfortable seat helps students keep proper posture and provides support for back and legs. Flat seat pan with waterfall front edge. Chair shell comes in 13 colors and frame in Chrome or Platinum. ([View Height Guide](#))

MATERIALS

The shell is 100% virgin polypropylene material with a shallow seat pan allowing three-position seating for infinite seating styles. The back supplies rigid support while being specifically designed with added flexibility that adapts to individual requirements and supplies long lasting comfort. The shell includes an integrated handle molded in for easy movement of the chair.

The frame is constructed of strong 0.875" x 14-gauge tubing that is either chrome plated or powder painted for long lasting, durable finish. The shell is attached to 16-gauge mounting plate via a metal to metal steel riveted connection.

SHELL COLOR OPTIONS



ADDITIONAL LEAD TIME SHELL COLOR OPTIONS



FRAME COLOR OPTIONS

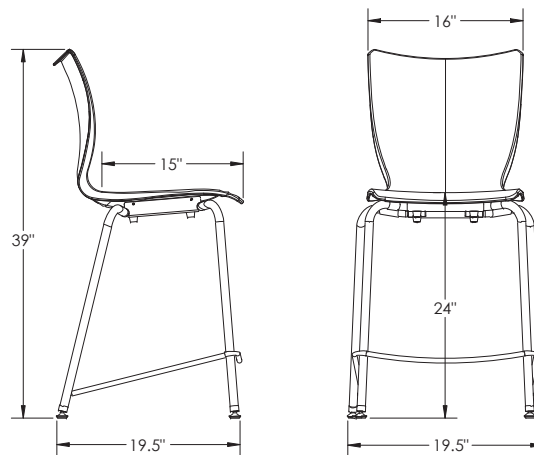
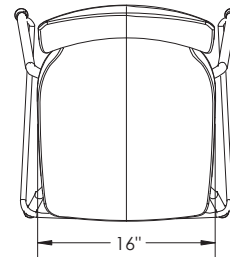


GLIDE OPTIONS

Nylon glide is standard
Felt glide option: add "F" to follow model#
Steel glide option: add "S" to follow model#
(Set of 4 installed - upcharge for felt or steel glide)
[View Glide Guide](#)

DIMENSIONS

Model	Description	D"	W"	H"	WT
33889	A Shell (24")	18.5	19	24	12





OVERVIEW

Comfortable seat helps students keep proper posture and provides support for back and legs. Flat seat pan with waterfall front edge. Chair shell comes in 13 colors and frame in Chrome or Platinum. ([View Height Guide](#))

MATERIALS

The shell is 100% virgin polypropylene material with a shallow seat pan allowing three-position seating for infinite seating styles. The back supplies rigid support while being specifically designed with added flexibility that adapts to individual requirements and supplies long lasting comfort. The shell includes an integrated handle molded in for easy movement of the chair.

The frame is constructed of strong 0.875" x 14-gauge tubing that is either chrome plated or powder painted for long lasting, durable finish. The shell is attached to 16-gauge mounting plate via a metal to metal steel riveted connection.

SHELL COLOR OPTIONS



ADDITIONAL LEAD TIME SHELL COLOR OPTIONS



FRAME COLOR OPTIONS



GLIDE OPTIONS

Nylon glide is standard
Felt glide option: add "F" to follow model#
Steel glide option: add "S" to follow model#
(Set of 4 installed - upcharge for felt or steel glide)
[View Glide Guide](#)

DIMENSIONS

Model	Description	D"	W"	H"	WT
33891	A Shell (30")	18.5	19.5	30	13

