

# 361-509 SAND DIGGER

Page 1  
Rev 7/9/2008

## IMPORTANT

PLEASE READ THESE INSTRUCTIONS BEFORE COMMENCING ASSEMBLY. All equipment must be installed in accordance with these instructions. Check your shipment against Bill of Lading and Parts list. Any missing or broken parts must be reported to your distributor within 10 days of receipt of your order. When properly installed and maintained, equipment will give many years of Safe, Trouble-Free use. Periodically check for loose or broken parts. Loose bolts must be tightened and broken parts must be replaced as they can possibly create dangerous situations leading to unnecessary accidents. Resilient Surfacing should be used under all playground equipment. Appropriate publications, available at no charge, from the Consumer Product Safety Commission, include "A Handbook for Public Playground Safety". You can receive your free copy by calling 1-301-504-7908.

NOTE: Recommended for children ages 3 and up. Teaches hand and eye coordination while providing hours of fun.



### PACKING LIST

1	CTN	Hardware Bag
1	364-515	Center Post
1	363-509	Digger Assembly

### HARDWARE BAG

1	416-500	5/16" Hex Key
1	416-350	3/16" Hex Key
1	365-514	½" Ball Bearing
2	316-801	½" Flat Washer
1	116-601	½" x 2 ¾" B. H. Bolt
1	364-507	1" Spacer
1	805-532	Warning Label
1	805-534	SportsPlay Label
1		Maintenance Checklist

1 CTN

1 TOTAL PCS

Weight 25#

Class 70

SportsPlay Equipment, Inc.

# 361-509 SAND DIGGER

Page 2  
Rev 7/9/2008

## INSTALLATION INSTRUCTIONS

1. Dig a 12" diameter footing hole at a depth that will place the top of the post 12" above the level of the sand.
2. Place support post into the center of the footing. Pour concrete and plumb and level the post.
3. Let the concrete set for 72 hours.
4. Place the Digger over the post, placing  $\frac{1}{2}$ " washer on top of the post then slide the digger over the post. Lift the digger up enough to place the  $\frac{1}{2}$ " ball bearing between the digger and the top of the post. Make sure the ball bearing doesn't fall in the hole for the bolt. Now take a  $\frac{1}{2}$ " washer, a  $\frac{1}{2}$ " x 2  $\frac{3}{4}$ " button head bolt, the 1" spacer and the 5/16" hex key from the hardware bag. (There should be a small space between the  $\frac{1}{2}$ " washer and the top of the sand digger to allow the digger to rotate.)

USE AREA: 6 FOOT DIAMETER CIRCLE

### Maintenance:

- Periodically check product hardware. Tighten any that may have become loose.
- Periodically, check product for structural integrity. If any defects are found, discontinue use and contact your distributor.

NOTE: Digger shipped assembled for ease of installation. Replacement parts list as follows:

<u>Part Number</u>	<u>Part Description</u>
365-509	Aluminum Seat
365-510	Aluminum Shovel
126-506	5/16" x 1 $\frac{1}{2}$ " Carriage bolt - To attach seat
326-501	5/16" Lock Washer - To attach seat
216-501	5/16" Hex Nut - To attach seat
116-601	$\frac{1}{2}$ " x 2 $\frac{3}{4}$ " B. H. Bolt - To attach shovel
226-801	$\frac{1}{2}$ " Lock Nut - To attach shovel
326-801	$\frac{1}{2}$ " Lock Washer - To attach shovel

# 361-509H Wheelchair Accessible Sand Digger

Page 1

Rev 07/31/2008

## IMPORTANT

PLEASE READ THESE INSTRUCTIONS BEFORE COMMENCING ASSEMBLY. All equipment must be installed in accordance with these instructions. Check your shipment against Bill of Lading and Parts list. Any missing or broken parts must be reported to your distributor within 10 days of receipt of your order. When properly installed and maintained, equipment will give many years of Safe, Trouble-Free use. Periodically check for loose or broken parts. Loose bolts must be tightened and broken parts must be replaced as they can possibly create dangerous situations leading to unnecessary accidents. Resilient Surfacing should be used under all playground equipment. Appropriate publications, available at no charge, from the Consumer Product Safety Commission, include "A Handbook for Public Playground Safety". You can receive your free copy by calling 1-301-504-7908.

NOTE: Recommended for children ages 3 and up. Teaches hand and eye coordination while providing hours of fun.



### PACKING LIST

1	CTN	Hardware Bag
1	364-515	Center Post
1	363-509H	Digger Assembly

### HARDWARE BAG

1	416-500	5/16" Hex Key
1	365-514	1/2" Ball Bearing
2	316-801	1/2" Flat Washer
1	116-601	1/2" x 2 3/4" B. H. Bolt
1	364-507	1" Spacer
1	805-532	Warning Label
1	805-534	SportsPlay Label
1		Maintenance Checklist

1 CTN

1 TOTAL PCS

Weight 25#

Class 70

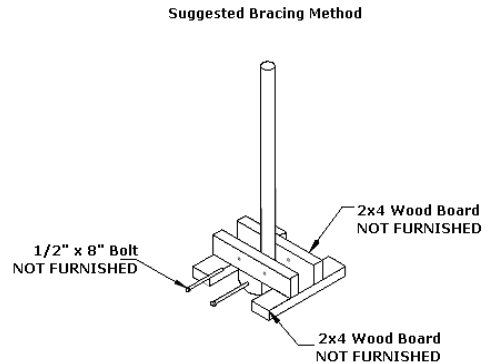
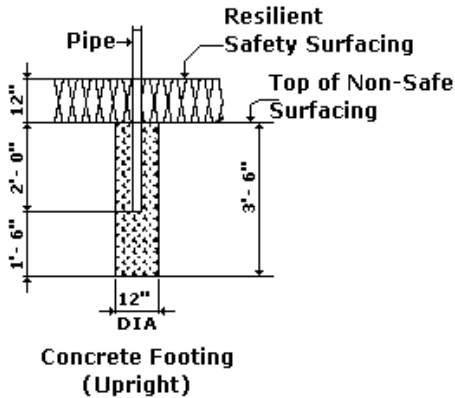
SportsPlay Equipment, Inc.

# 361-509H Wheelchair Accessible Sand Digger

## GENERAL FOOTING RECOMMENDATIONS:

Detail:  
Permanent Installation

Detail:  
Suggested Bracing Method



## USE AREA:

6-FOOT DIAMETER CIRCLE

## GENERAL MAINTENANCE INSTRUCTIONS:

Check product periodically for loose bolts, and damaged or broken parts. Tighten and/or replace immediately. Replace any parts that show a reduction of 25% or more from their original size. Check product periodically for structural integrity. If any defects are found discontinue use and contact your distributor.

## ASSEMBLY AND INSTALLATION:

**NOTE:** All threaded ends of bolts protruding beyond nuts must be cut off and/or peened to eliminate sharp edges. No more than two threads should extend beyond face of nut. All washers, "T" nuts and other fastener hardware used on round pipe or tubing must be hammered down to conform to the curved underlying surface to eliminate catch points. DO NOT tighten nuts more than hand-tight until entire assembly is completed.

**STEP #1:** Dig a 12" diameter footing hole at a depth that will place the top of the post 12" above the level of the sand.

**STEP #2:** Place support post into the center of the footing. Pour concrete and plumb and level the post.

**STEP #3:** Let Concrete Set for 72 Hours.

**STEP #4:** Place the Digger over the post, placing  $\frac{1}{2}$ " washer on top of the post then slide the digger over the post. Lift the digger up enough to place the  $\frac{1}{2}$ " ball bearing between the digger and the top of the post. Make sure the ball bearing doesn't fall in the hole for the bolt. Now take a  $\frac{1}{2}$ " washer, a  $\frac{1}{2}$ " x 2  $\frac{3}{4}$ " button head bolt, the 1" spacer and the 5/16" hex key from the hardware bag. (There should be a small space between the  $\frac{1}{2}$ " washer and the top of the sand digger to allow the digger to rotate.)

SportsPlay Equipment, Inc.

# 361-509H Wheelchair Accessible Sand Digger

Page 3

Rev 07/31/2008

**NOTE:** Digger shipped assembled for ease of installation. Replacement parts list as follows:

<u>Part Number</u>	<u>Part Description</u>
365-510	Aluminum Shovel
116-601	½" x 2 ¼" B. H. Bolt - To attach shovel
226-801	½" Lock Nut - To attach shovel
326-801	½" Lock Washer - To attach shovel